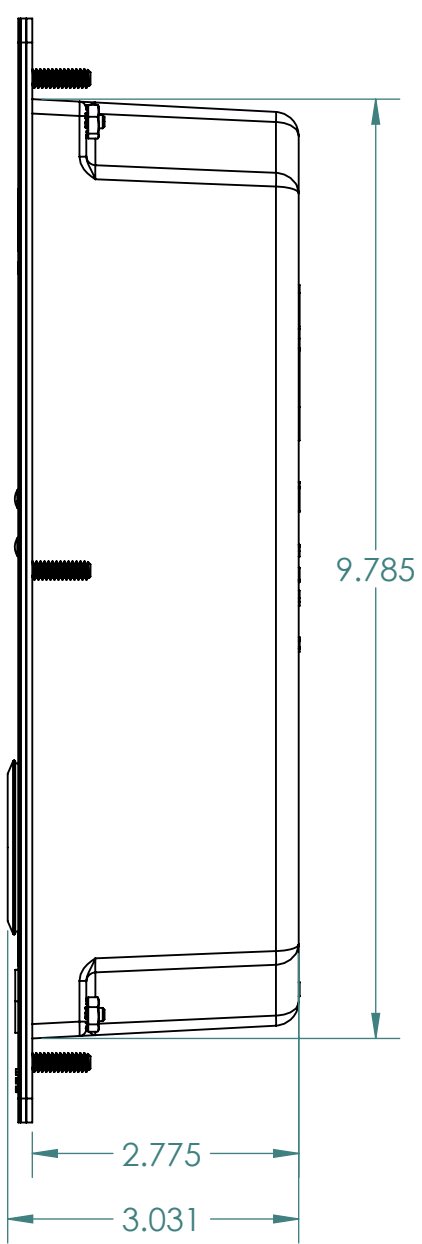
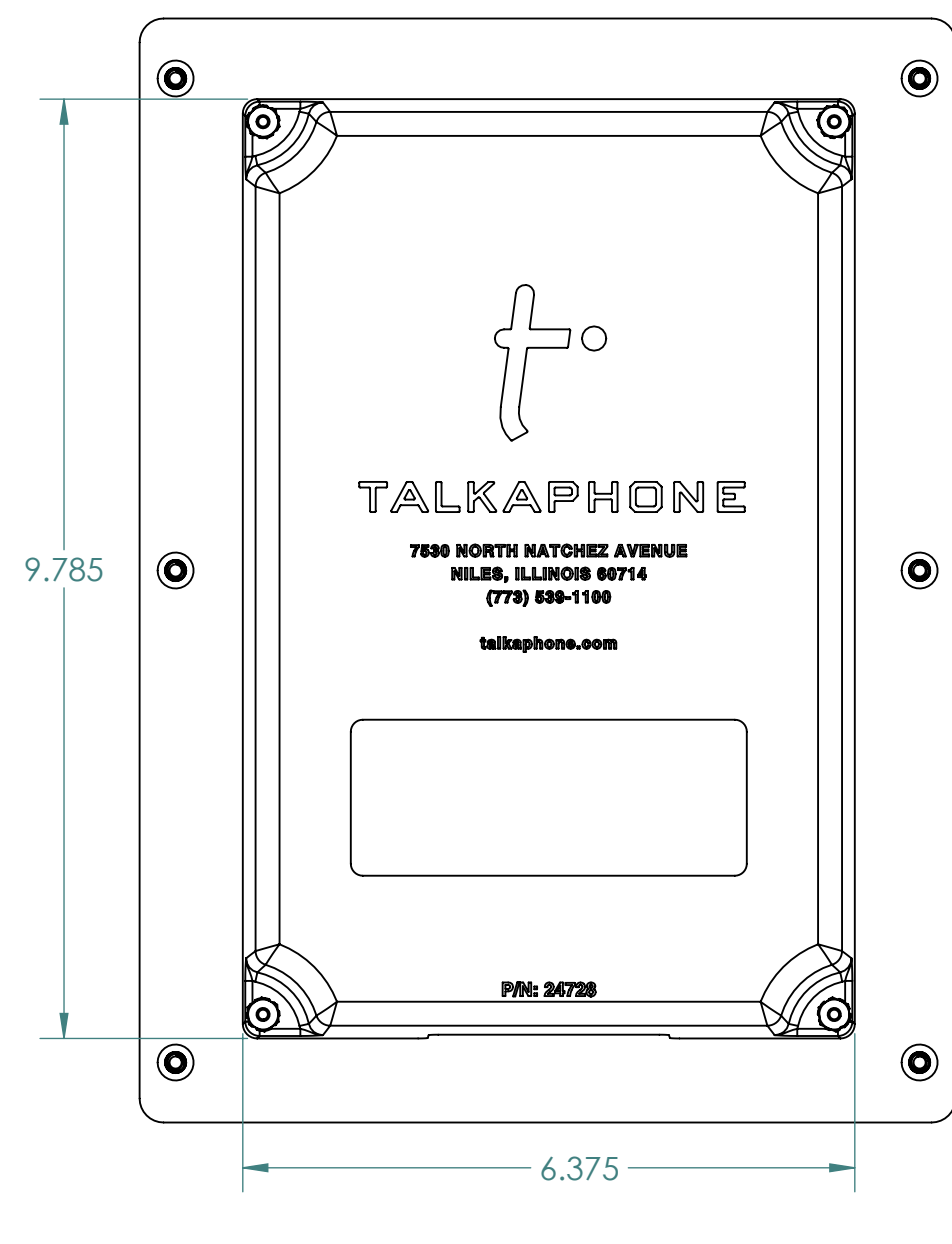


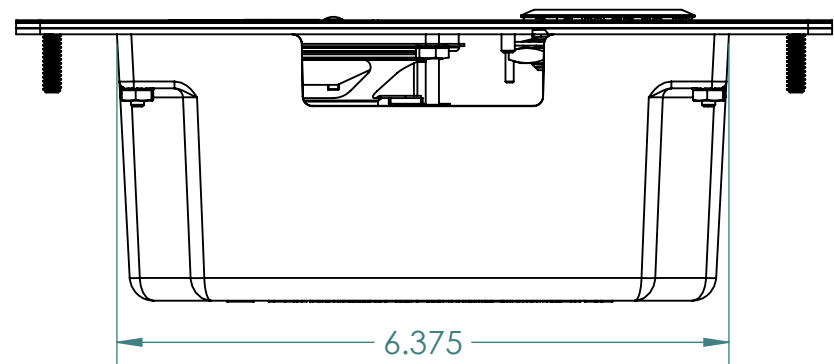
FRONT VIEW



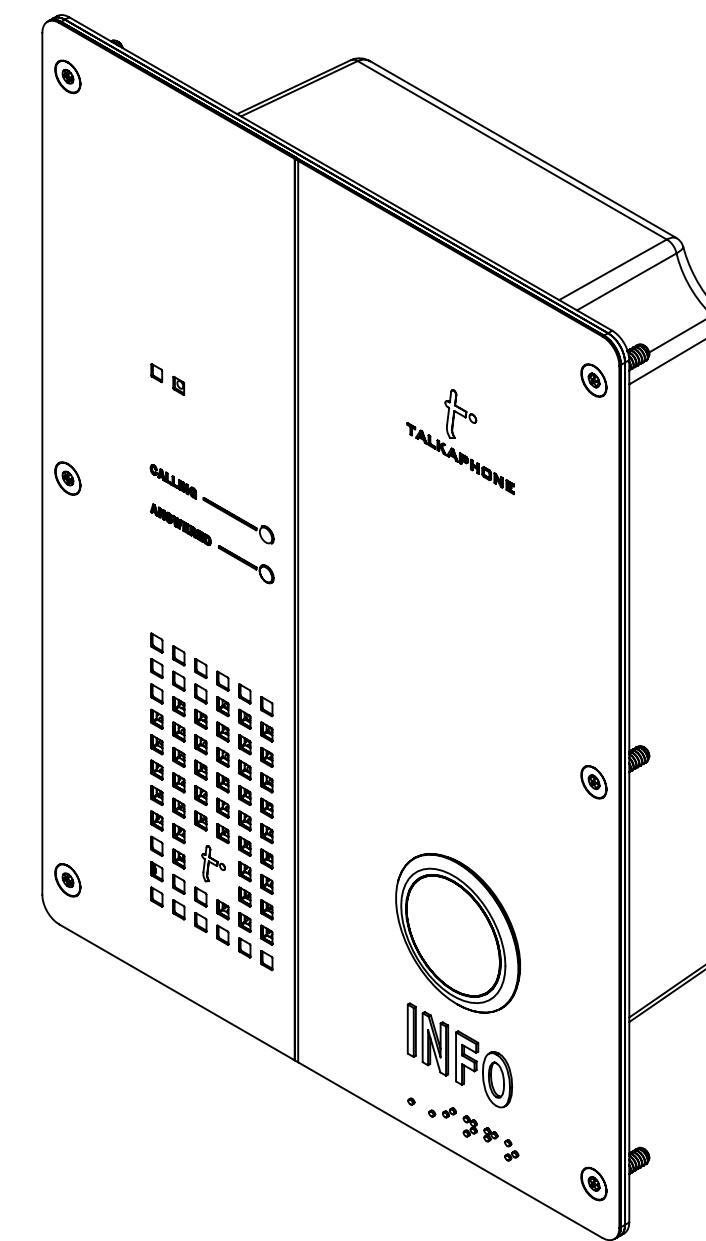
SIDE VIEW



REAR VIEW



BOTTOM VIEW



1.0	MARKETING RELEASE	02/26/2016	K PATEL
REV.	DESCRIPTION	DATE	APPROVED
REVISIONS			
	NAME	DATE	
DRAWN	K PATEL	2/26/2016	
CHECKED			
ENG APPR.			
MFG APPR.			
Q.A.			
COMMENTS:			
<p>PROPRIETARY AND CONFIDENTIAL THE INFORMATION CONTAINED IN THIS DRAWING IS THE SOLE PROPERTY OF TALK-A-PHONE COMPANY. ANY REPRODUCTION IN PART OR AS A WHOLE WITHOUT THE WRITTEN PERMISSION OF TALK-A-PHONE COMPANY IS PROHIBITED.</p>		<p>SIZE PART NO. ETP-5001 / VOIP-5001</p> <p>C DWG. TITLE: ETP_VOIP-500 SERIES PHONE ASSEMBLY</p> <p>SCALE: 1:4 WEIGHT:</p>	<p>REV</p> <p>1.0</p> <p>SHEET 1 OF 1</p>
		<p>DWG. NO.</p> <p>TALKAPHONE TALK-A-PHONE CO. 7530 N. NATCHEZ AVE. NILES, IL 60714 WWW.TALKAPHONE.COM</p>	
		<p>DWG. NO.</p>	