

ETP-EL12/24
12/24VDC LED Blue Light

Description

Model **ETP-EL12/24** is a 12/24VDC outdoor-rated LED Blue Light, which is continuously lit to draw attention to the location. The LED Blue Light flashes when activated by any Talkaphone call station or third-party device that provides a dry contact closure or relay output.

The **ETP-EL12/24** LED Blue Light has two settings controlled by an internal jumper: Normal Power Mode (NPM) and Low Power Mode (LPM). Low Power Mode is designed for applications where power consumption is an important consideration (e.g., when operating on solar power).

Talkaphone's **ETP-EL12/24** LED Blue Light can be mounted to a wall using an **ETP-MBKT** mounting bracket. The unit is often used in combination with a Talkaphone call station at university and college campuses, parking facilities, shopping malls, medical centers, industrial campuses, and transit facilities.



Features

- An ultra bright all-LED Blue Light is always lit. Flashing is activated on a dry contact closure.
- Polycarbonate refractor housing has prismatic pattern to increase visibility at greater distances
- All-LED construction of the unit significantly increases its life span
- Easily integrates with any Talk-A-Phone emergency phone to flash for duration of a call

Specifications

Dimensions (H x Dia):	6.9 x 6.6 in. (175 x 167 mm)
Weight:	4 lbs. (1.8 kg)
Construction: Base/Dome:	Polycarbonate
Gasket:	UV-resistant EPDM Foam Rubber
Intensity:	209 lumens peak (Normal Power Mode); reduced intensity in the Low Power Mode
Flash Rate:	78 flashes per minute
LED life:	70% of initial lumens after 50,000 hours of operation
Input Voltage:	10-30VDC / 20-28VAC
Power Consumption:	18A peak inrush (at initial power-up for approximately 704 μs) 7.5 watts (Normal Power Mode) 1.5 watts (Low Power Mode)
Operating Temperature:	-40°F to 150°F (-40°C to 65°C)
Wiring:	18GA jacketed power cable and 18GA twisted pair trigger wires; 180±6 in. long with tinned flying leads
Mounting:	Mount directly to a wall or using an ETP-MBKT mounting bracket kit
Compliance:	ANSI/UL Standard 1598. CAN/CSA Standard C22.2 No. 250.0-08.
Approvals:	ETL Listed – Conforms to ANSI/UL Standard 1598. Certified to CAN/CSA Standard C22.2 No. 250.0-08.
Warranty:	2-year limited warranty



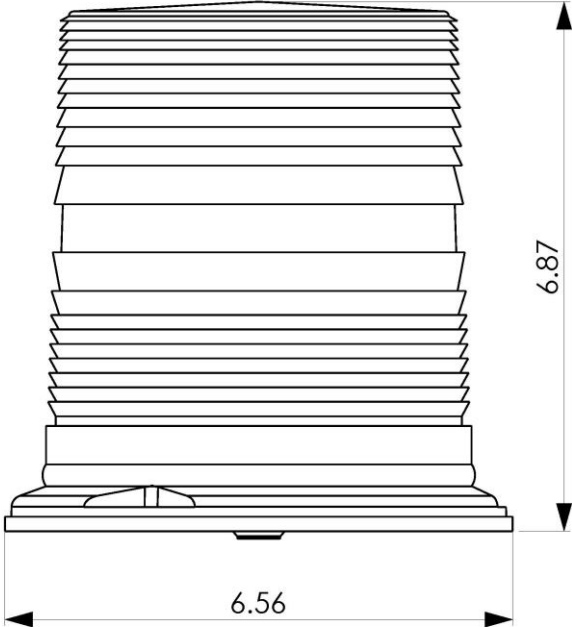
ETP-EL12/24 12/24VDC LED Blue Light

Accessories

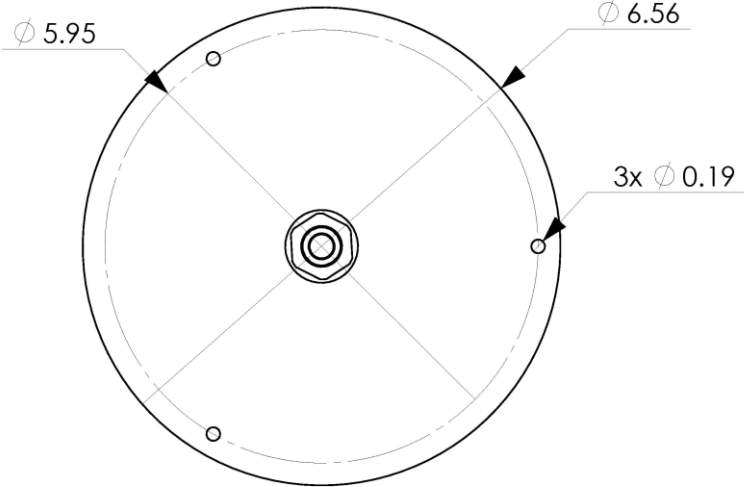
Mounting Bracket:

Order **ETP-MBKT** Mounting Bracket Kit for mounting ETP-EL to a wall or to a 4 in. square (1900) box (extends 8.8 in.)

Dimensional Diagram



FRONT VIEW



BOTTOM VIEW

All dimensions are in inches and are provided for reference only.