

## Description

Model **86396** is an outdoor-rated Class 2 power supply.

## Features

- Class 2 power unit
- Plastic housing with Class II design
- Constant voltage, constant current mode output
- Typical lifetime of greater than 50,000 hours
- Protection for short circuit, overcurrent, and overvoltage
- Built-in active PFC function
- Suitable for use in dry, damp, or wet locations due to its IP67 rating



## Specifications

Dimensions without Cable: 2.1 x 5.9 x 1.4 in. (53 x 150 x 35 mm)  
Assemblies (W x D x H)

Weight: 1.1 lbs. (490 g)

Output: DC Voltage: 12V  
Rated Current: 5A  
Rated Power: 60W

Input: Voltage Range: 90~305VAC, 127~431VDC  
Frequency Range: 47~63Hz  
Efficiency: 86%  
AC Current: 0.8A at 115VAC, 0.4A at 230VAC, 0.32A at 277VAC

Protection: Short circuit, overcurrent, overvoltage

Operating Environment: -40°F to 185°F (-40°C to +85°C), 10–95% RH non-condensing

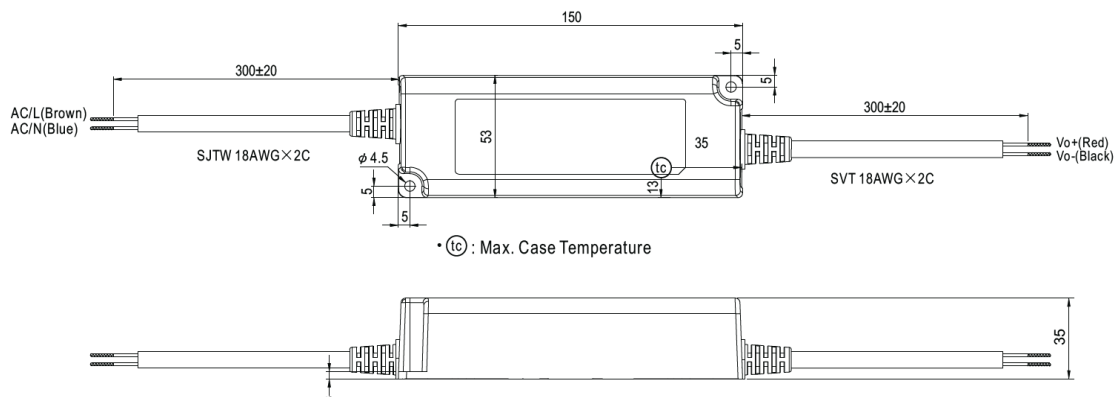
Storage Environment: -40°F to 176°F (-40°C to +80°C), 10–95% RH non-condensing

Ingress Protection: IP67 rating

Compliance: UL 8750 (type "HL"), CSA C22.2 No. 250.13-12, ENEC BS EN/EN61347-1, BS EN/EN61347-2-13 independent, BS EN/EN62384, EAC TP TC 004, GB19510.1, GB19510.14, IP67 approved; design refers to BS EN/EN60335-1

Limited Warranty: 2-year limited warranty

## Dimensional Diagram



All dimensions are in mm and are provided for reference only.  
Page 1 of 1

Rev. 5/25/2022