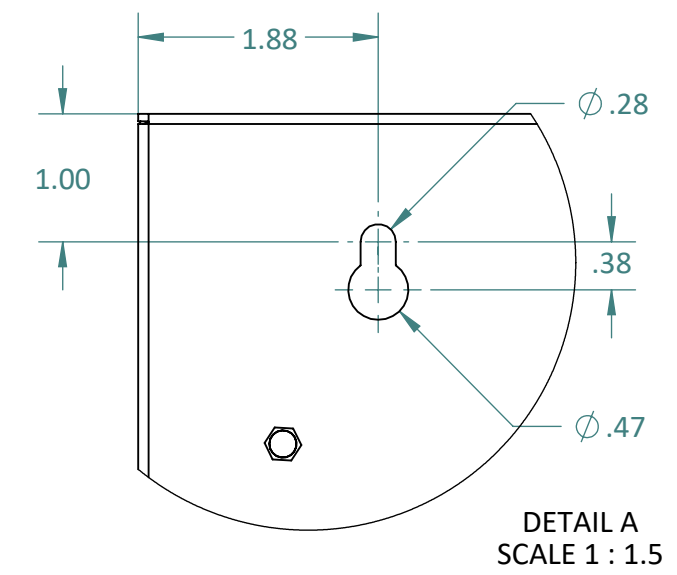
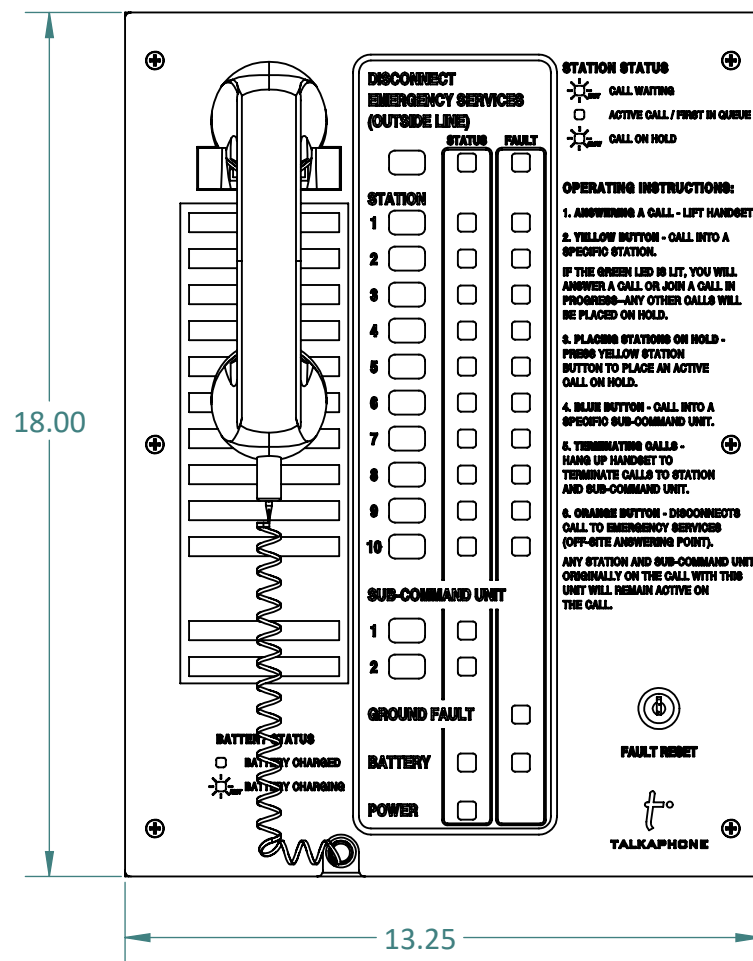


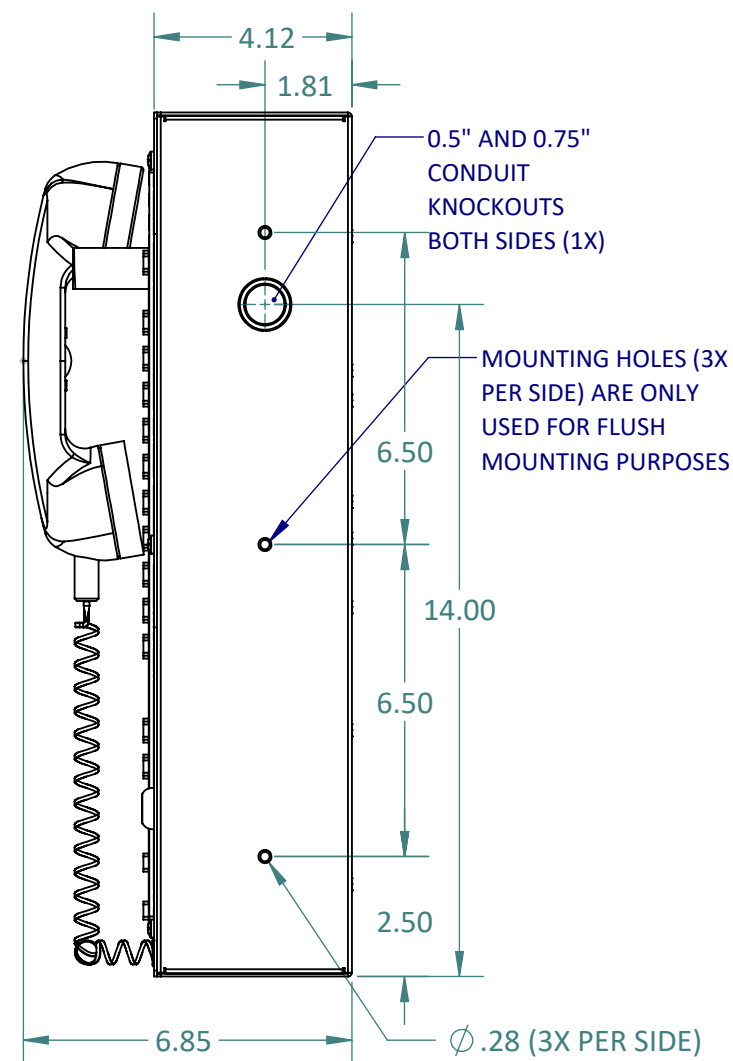
TOP VIEW



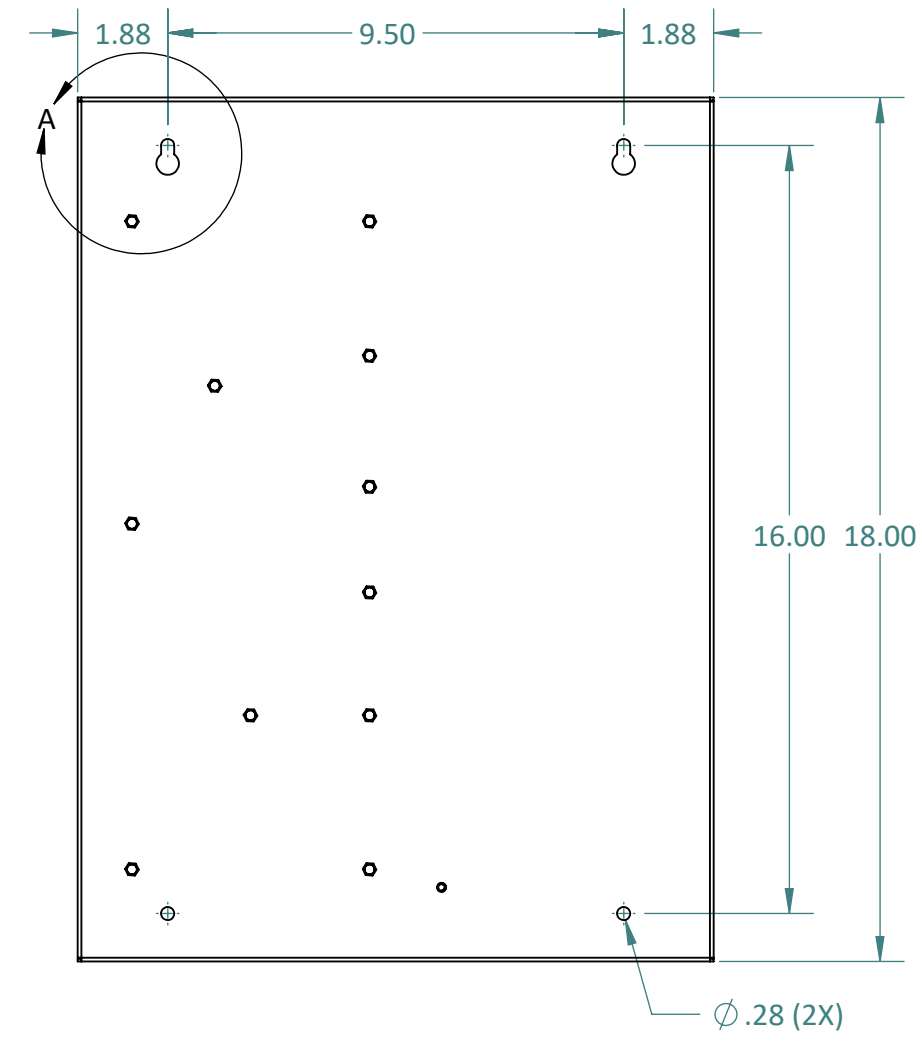
DETAIL A
SCALE 1 : 1.5



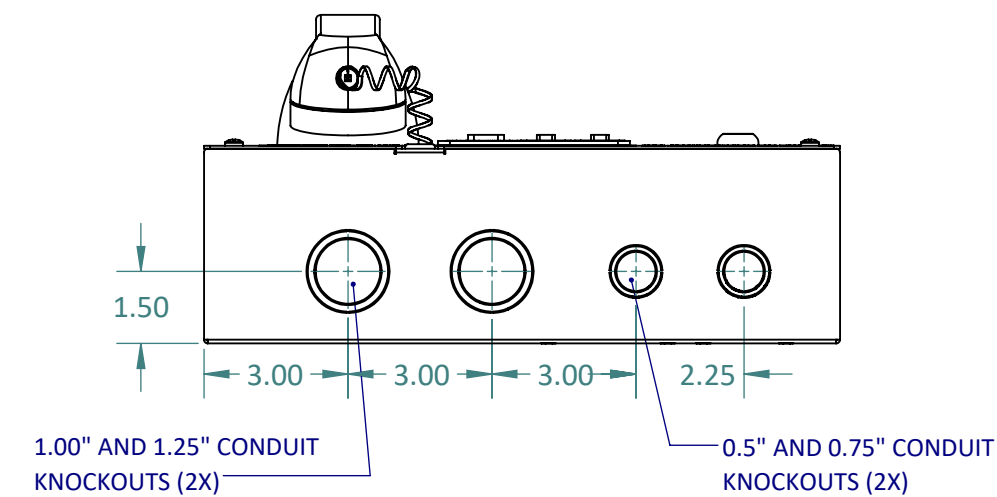
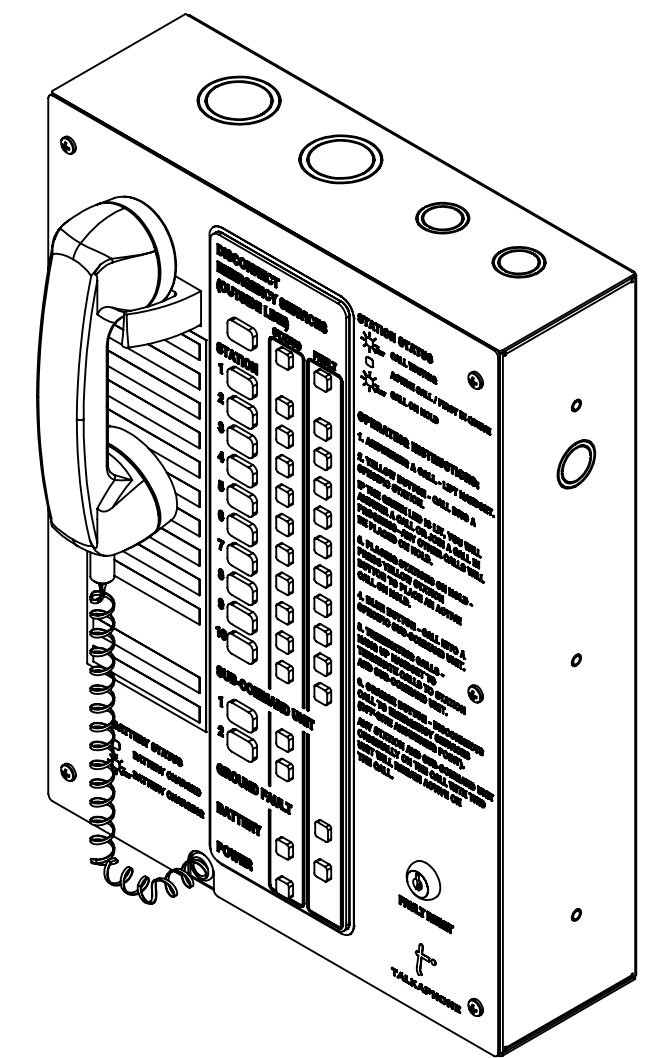
FRONT VIEW



SIDE VIEW



REAR VIEW



BOTTOM VIEW

FINISH
 PROPRIETARY AND CONFIDENTIAL
 THE INFORMATION CONTAINED IN THIS DRAWING IS THE SOLE PROPERTY OF TALK-A-PHONE, LLC. ANY REPRODUCTION IN PART OR AS A WHOLE WITHOUT THE WRITTEN PERMISSION OF TALK-A-PHONE, LLC IS PROHIBITED.

1.0	MARKETING RELEASE	04/21/2022	N TERECH
REV.	DESCRIPTION	DATE	APPROVED
REVISIONS			
	NAME	DATE	
DRAWN	N TERECH	04/21/2022	
CHECKED	K PATEL	04/21/2022	
ENG APPR.			
MFG APPR.			
Q.A.			
COMMENTS:			
 TALKAPHONE TALK-A-PHONE, LLC 7530 N. NATCHEZ AVE. NILES, IL 60714 WWW.TALKAPHONE.COM			
SIZE	PART NO.	AOR-10	REV
C	DWG. TITLE:	AOR-10 ENCLOSURE	1.0
SCALE: 1:4	WEIGHT:		SHEET 1 OF 1