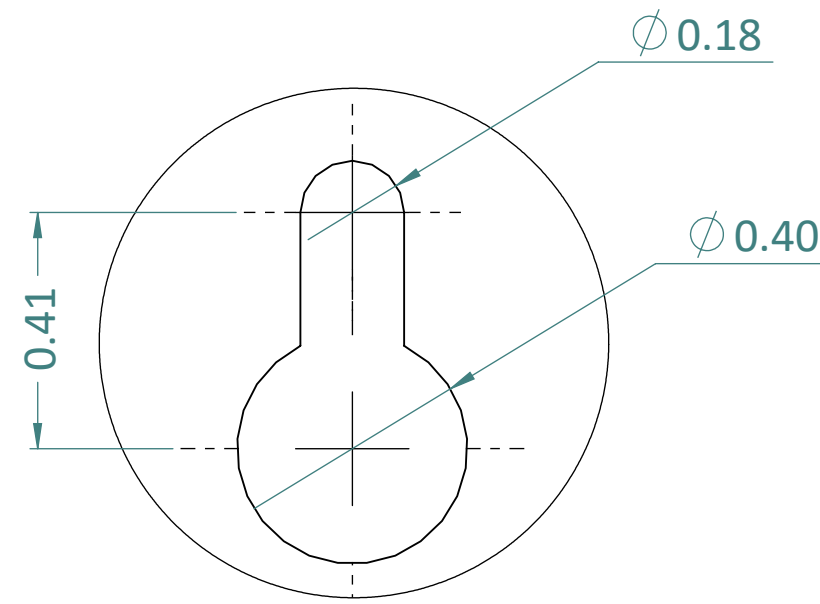
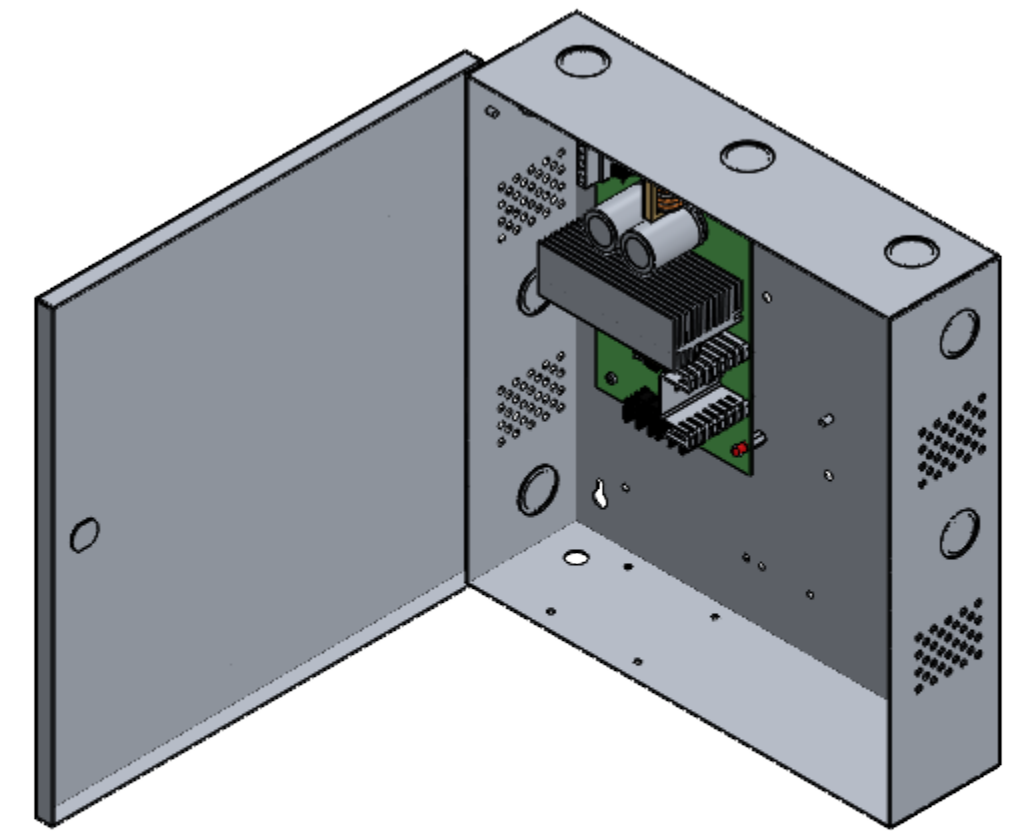


**TOP VIEW**

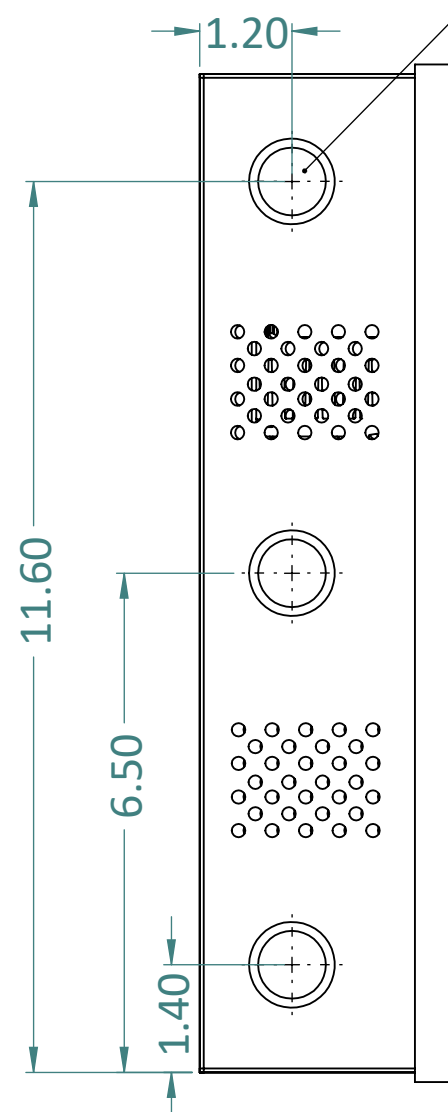


DETAIL A  
SCALE 3 : 1

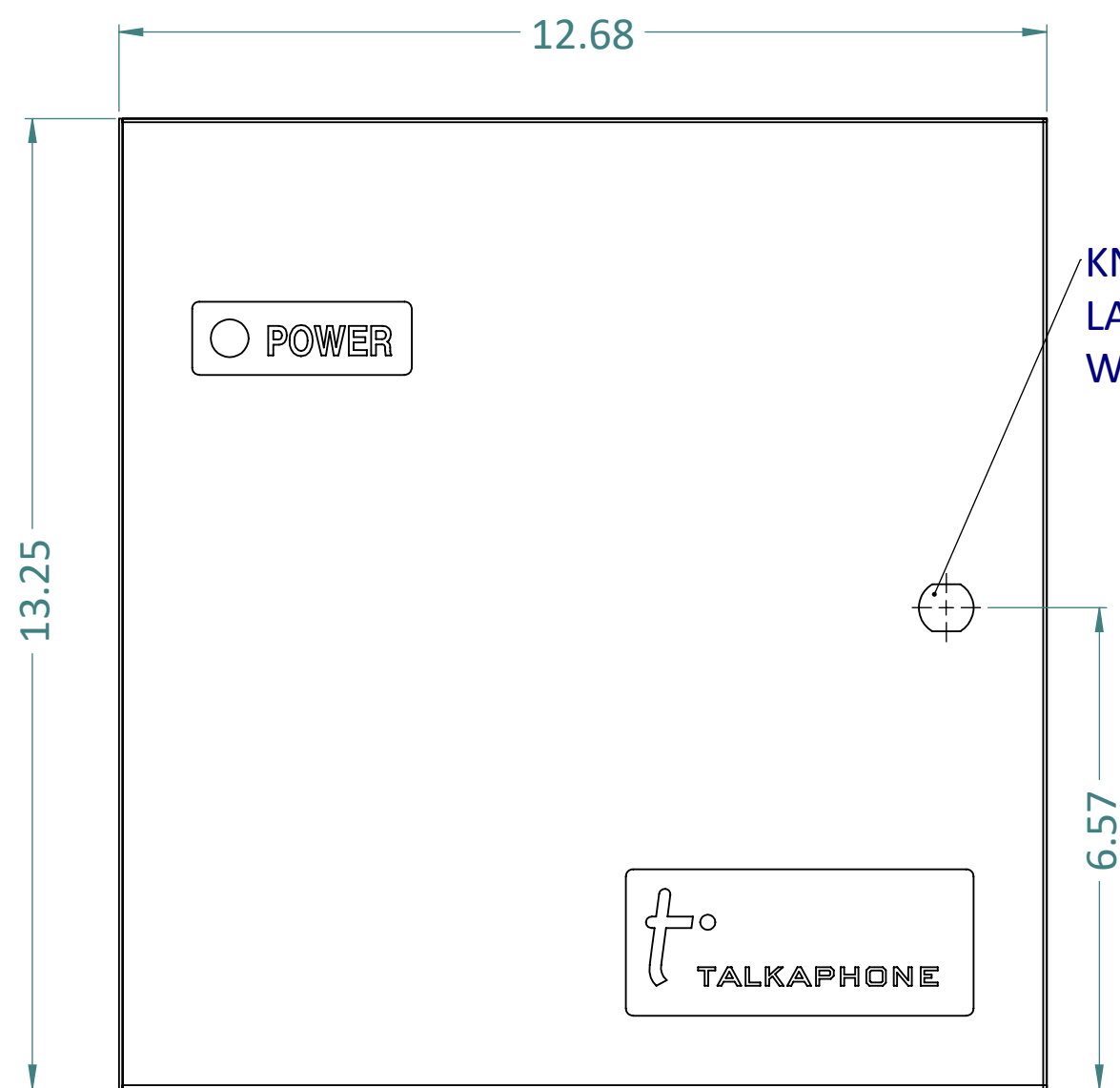


**ISOMETRIC VIEW**

1/2" & 3/4" CONDUIT  
KNOCKOUTS (3X)



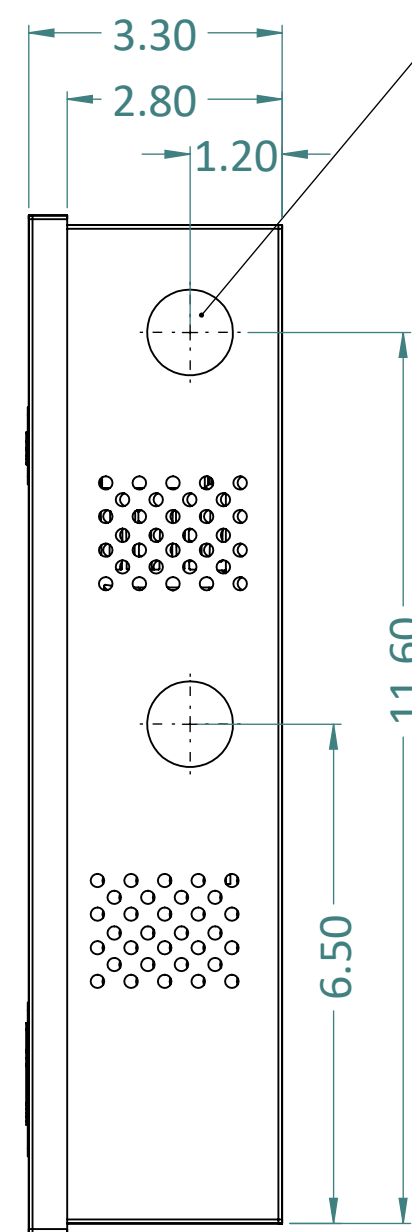
**LEFT SIDE VIEW**



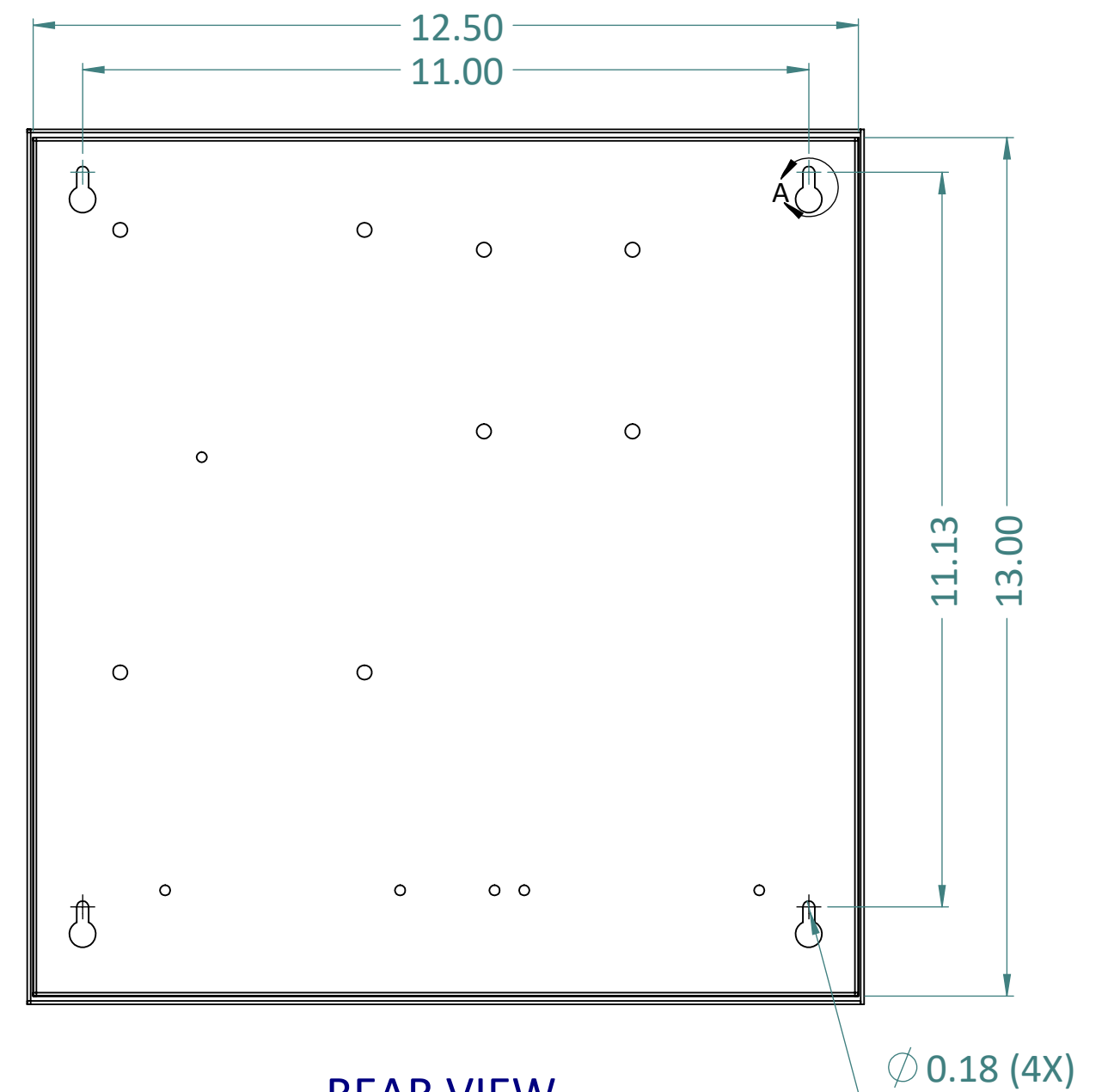
**FRONT VIEW**

KNOCKOUT FOR  
LATCH (INCLUDED  
WITH UNIT)

1/2" & 3/4" CONDUIT  
KNOCKOUTS (2X)



**RIGHT SIDE VIEW**



**REAR VIEW**

1.0	MARKETING RELEASE	02/07/2023	N TERECH
REV	DESCRIPTION	DATE	APPROVED
REVISIONS			
UNLESS OTHERWISE SPECIFIED:			
DIMENSIONS ARE IN INCHES	DRAWN	NAME	DATE
TOLERANCES:		N TERECH	2/7/2023
DRILL HOLE -0.00 / +0.003	CHECKED	K PATEL	2/7/2023
ANGULAR: MACH ± 1° BEND ± 1°	ENG APPR.		
TWO PLACE DECIMAL ±0.01	MFG APPR.		
THREE PLACE DECIMAL ±0.005	Q.A.		
INTERPRET GEOMETRIC TOLERANCING PER: ASME Y14.5-2009	 TALKAPHONE, LLC 7530 N. NATCHEZ AVE., NILES, IL 60714 WWW.TALKAPHONE.COM		
DO NOT SCALE DRAWING	DESCRIPTION		
PROPRIETARY AND CONFIDENTIAL	CLASS 2 POWER SUPPLY WITH ENCLOSURE FOR AOR-5 OR AOR-10 COMMAND UNIT. 115VAC INPUT, 12/24VDC OUTPUT.		
THE INFORMATION CONTAINED IN THIS DRAWING IS THE SOLE PROPERTY OF TALK-A-PHONE, LLC. ANY REPRODUCTION IN PART OR AS A WHOLE WITHOUT THE WRITTEN PERMISSION OF TALK-A-PHONE, LLC IS PROHIBITED.	FINISH	SIZE	PART NO.
	MODEL FILE NAME:	<b>C</b>	<b>AOR-PSU-5-10</b>
	<b>AOR-PSU-5-10</b>	SCALE: 2:5	WEIGHT:
			REV <b>1.0</b>
			SHEET 1 OF 1