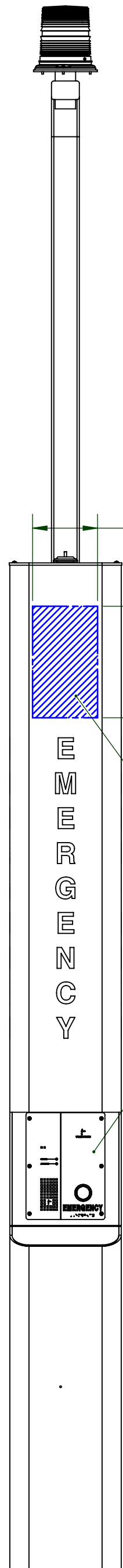


1.0	PRELIMINARY RELEASE	05/08/2018	M OBAL
REV.	DESCRIPTION	DATE	APPROVED
REVISIONS			
	NAME	DATE	
DRAWN	M OBAL	05/08/2018	
CHECKED			
ENG APPR.			
MFG APPR.			
Q.A.			
COMMENTS:			
 TALKAPHONE TALK-A-PHONE, LLC 7530 N. NATCHEZ AVE., NILES, IL 60714 WWW.TALKAPHONE.COM		DWG. NO. SIZE PART NO. ETP-MT/R-OP4P-PCS REV C DWG. TITLE: ETP-MT/R SERIES 1.0 SCALE: 1:16 WEIGHT: SHEET 1 OF 2	

FINISH

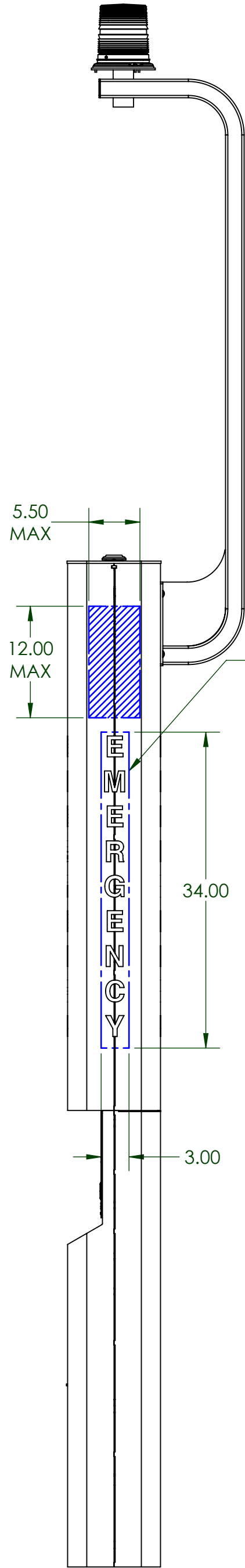
PROPRIETARY AND CONFIDENTIAL
 THE INFORMATION CONTAINED IN THIS DRAWING IS THE SOLE PROPERTY OF TALK-A-PHONE, LLC. ANY REPRODUCTION IN PART OR AS A WHOLE WITHOUT THE WRITTEN PERMISSION OF TALK-A-PHONE, LLC IS PROHIBITED.



FRONT VIEW

OPTIONAL SIGNAGE:
OPTIONAL SIGNAGE ON THREE SIDES.
AVAILABLE AREA FOR CUSTOM
GRAPHICS (NON-REFLECTIVE)
AND/OR VERBIAGE (REFLECTIVE).

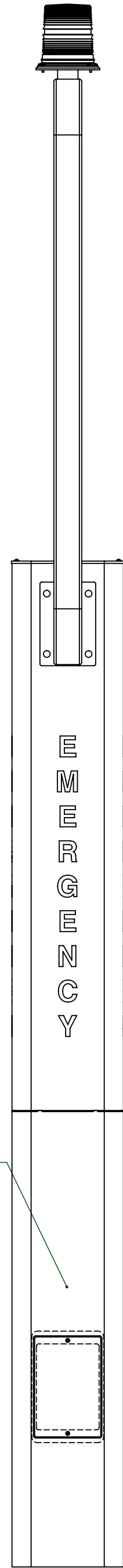
SHOWN WITH
VOIP-600 SERIES CALL STATION
FOR ILLUSTRATION PURPOSES ONLY



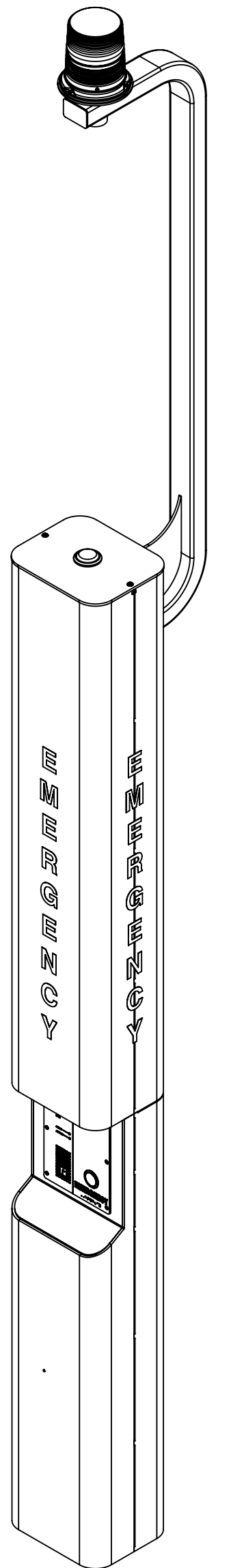
SIDE VIEW

STANDARD SIGNAGE:
SIGNAGE ON FOUR SIDES:
3.5" HIGH REFLECTIVE WHITE "EMERGENCY"
LETTERING WITH WIDE ANGLE
VISIBILITY IS STANDARD
ALSO AVAILABLE WITH
"ASSISTANCE", "INFORMATION",
OR CUSTOM LETTERING AND COLORS.

STANDARD FINISH:
PAINTED IN SAFETY BLUE COLOR
OPTIONAL FINISH:
AVAILABLE PAINTED IN CUSTOM COLORS



REAR VIEW



ISOMETRIC VIEW

	NAME	DATE
DRAWN	M OBAL	05/08/2018
CHECKED		
ENG APPR.		
MFG APPR.		
Q.A.		

t.
TALKAPHONE
TALK-A-PHONE, LLC
7530 N. NATCHEZ AVE., NILES, IL 60714
WWW.TALKAPHONE.COM

FINISH
PROPRIETARY AND CONFIDENTIAL
THE INFORMATION CONTAINED IN THIS
DRAWING IS THE SOLE PROPERTY OF
TALK-A-PHONE, LLC. ANY
REPRODUCTION IN PART OR AS A WHOLE
WITHOUT THE WRITTEN PERMISSION OF
TALK-A-PHONE, LLC IS PROHIBITED.

SIZE	PART NO.	ETP-MT/R-OP4P-PCS	REV
C			1.0
SCALE: 1:16		WEIGHT:	SHEET 2 OF 2