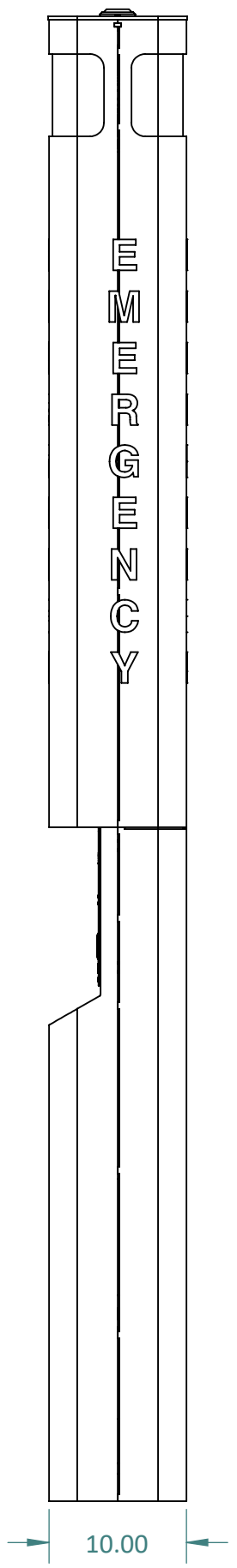
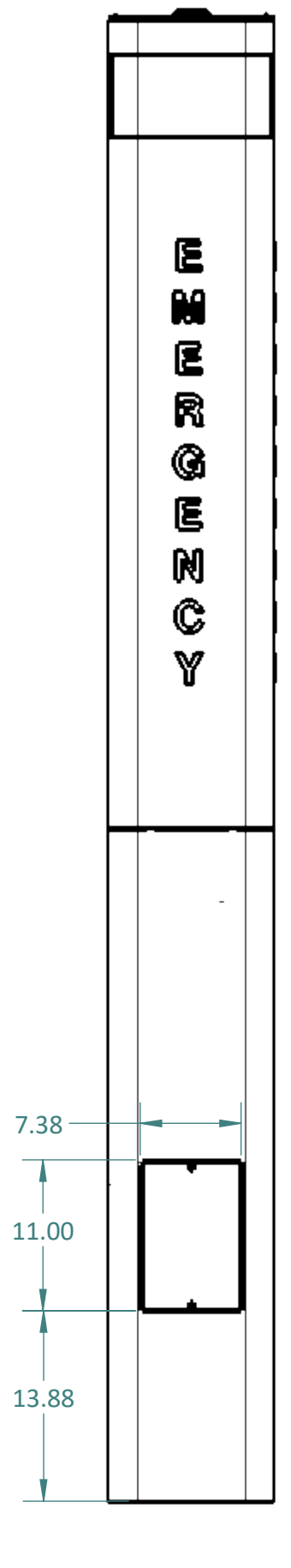


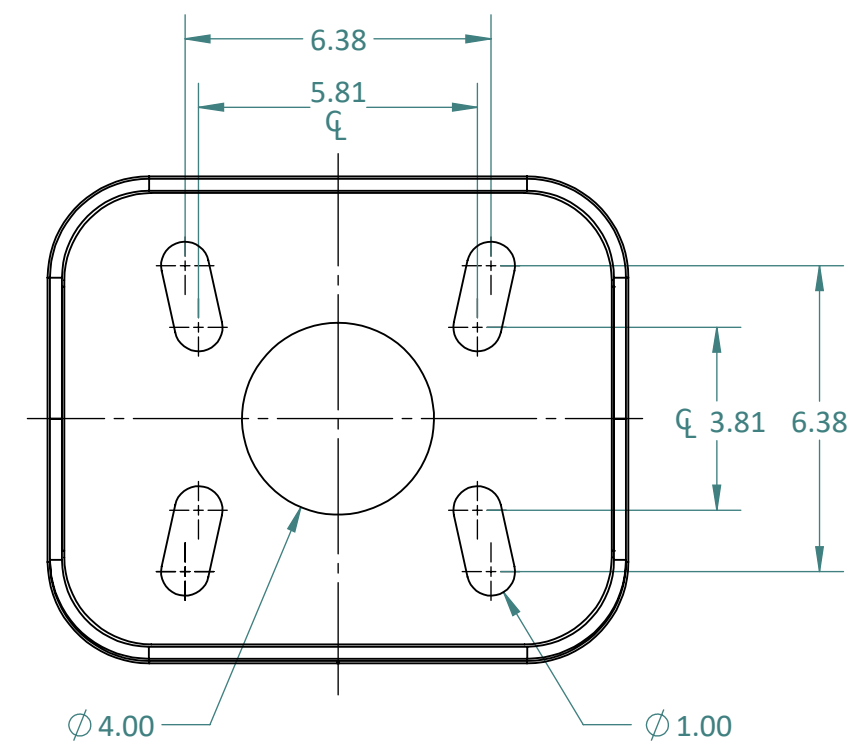
FRONT VIEW



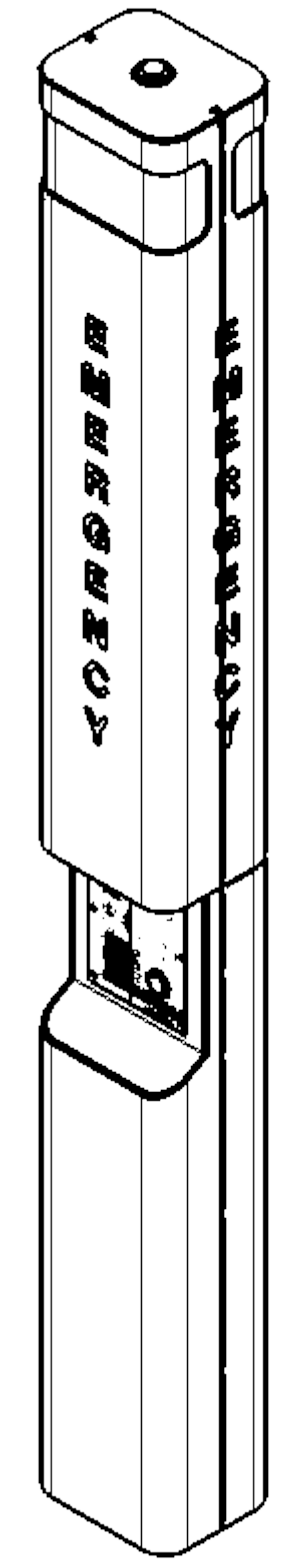
SIDE VIEW



REAR VIEW



FOOT PRINT



ISOMETRIC VIEW

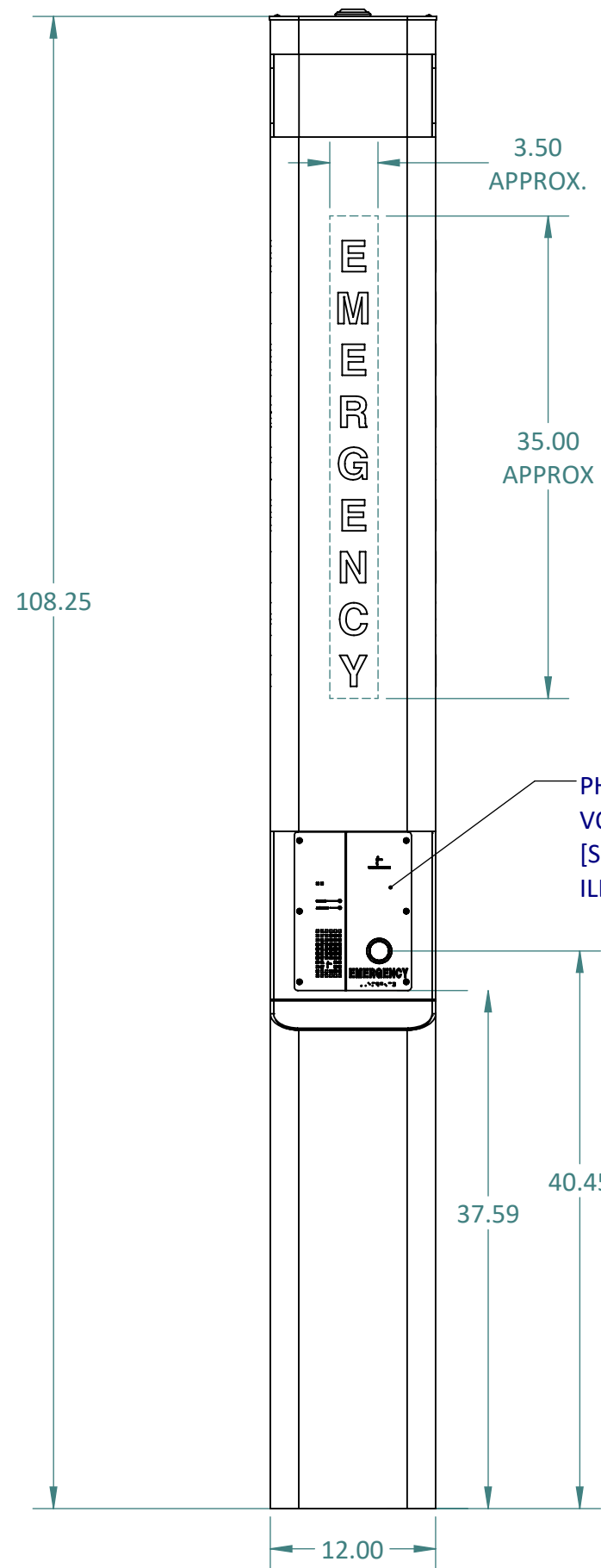
1.0	MARKETING RELEASE	08/30/2022	N TERECH
REV.	DESCRIPTION	DATE	APPROVED
REVISIONS			
	NAME	DATE	
DRAWN	N TERECH	08/30/2022	
CHECKED	K PATEL	08/30/2022	
ENG APPR.			
MFG APPR.			
Q.A.			
COMMENTS:			



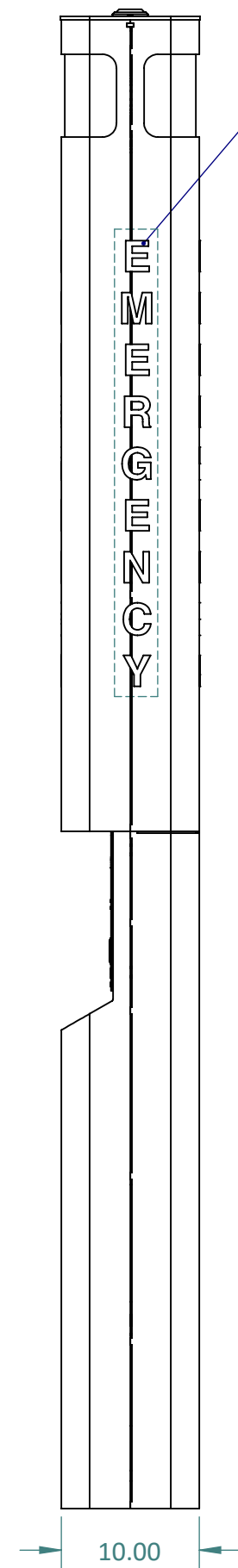
TALKAPHONE
TALK-A-PHONE, LLC
7530 N. NATCHEZ AVE. NILES, IL 60714
WWW.TALKAPHONE.COM

SIZE	PART NO.	REV
C	ETP-MT/R	1.0
DWG. TITLE: ETP-MT/R SERIES		
SCALE: 1:12	WEIGHT:	SHEET 1 OF 2

FINISH
THE INFORMATION CONTAINED IN THIS DRAWING IS THE SOLE PROPERTY OF TALK-A-PHONE, LLC. ANY REPRODUCTION IN PART OR AS A WHOLE WITHOUT THE WRITTEN PERMISSION OF TALK-A-PHONE, LLC IS PROHIBITED.

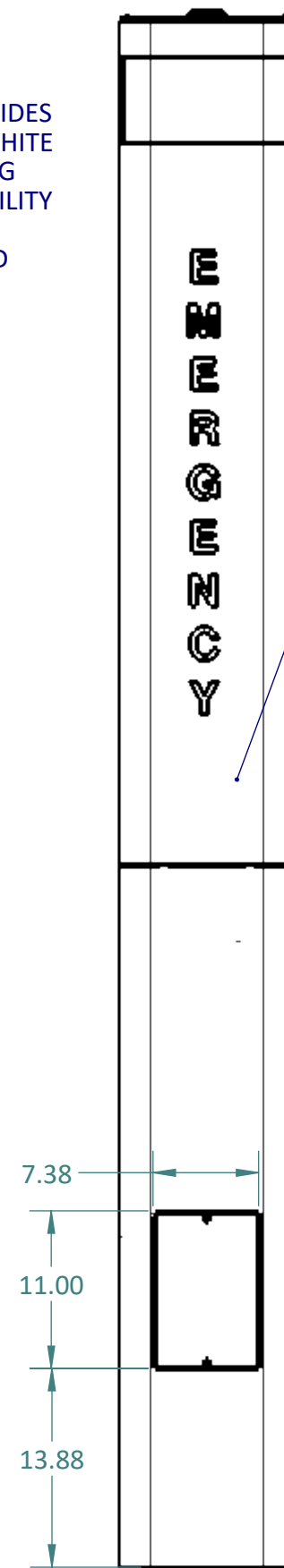


FRONT VIEW



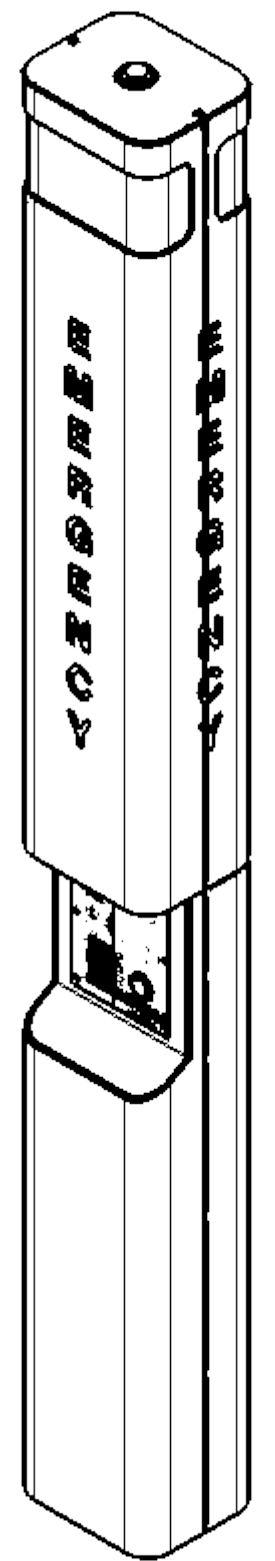
SIDE VIEW

STANDARD SIGNAGE:
SIGNAGE ON ALL FOUR SIDES
3.5" HIGH REFLECTIVE WHITE
"EMERGENCY" LETTERING
WITH WIDE ANGLE VISIBILITY
ALSO AVAILABLE WITH
CUSTOM LETTERING AND
COLORS



REAR VIEW


STANDARD FINISH:
PAINTED IN SAFETY BLUE COLOR
OPTIONAL FINISH:
AVAILABLE PAINTED IN CUSTOM COLORS



ISOMETRIC VIEW

PHONE MODEL:
VOIP-500E
[SHOWN FOR
ILLUSTRATIVE PURPOSES]

FINISH
PROPRIETARY AND CONFIDENTIAL
THE INFORMATION CONTAINED IN THIS
DRAWING IS THE SOLE PROPERTY OF
TALK-A-PHONE, LLC. ANY
REPRODUCTION IN PART OR AS A WHOLE
WITHOUT THE WRITTEN PERMISSION OF
TALK-A-PHONE, LLC IS PROHIBITED.

1.0	MARKETING RELEASE	08/30/2022	N TERECH
REV.	DESCRIPTION	DATE	APPROVED
REVISIONS			
	NAME	DATE	
DRAWN	N TERECH	08/30/2022	
CHECKED	K PATEL	08/30/2022	
ENG APPR.			
MFG APPR.			
Q.A.			
COMMENTS:			
 TALKAPHONE TALK-A-PHONE, LLC 7530 N. NATCHEZ AVE. NILES, IL 60714 WWW.TALKAPHONE.COM			
DWG. NO.			
SIZE	PART NO.	REV	
C	ETP-MT/R	1.0	
DWG. TITLE: ETP-MT/R SERIES			
SCALE: 1:12	WEIGHT:	SHEET 2 OF 2	