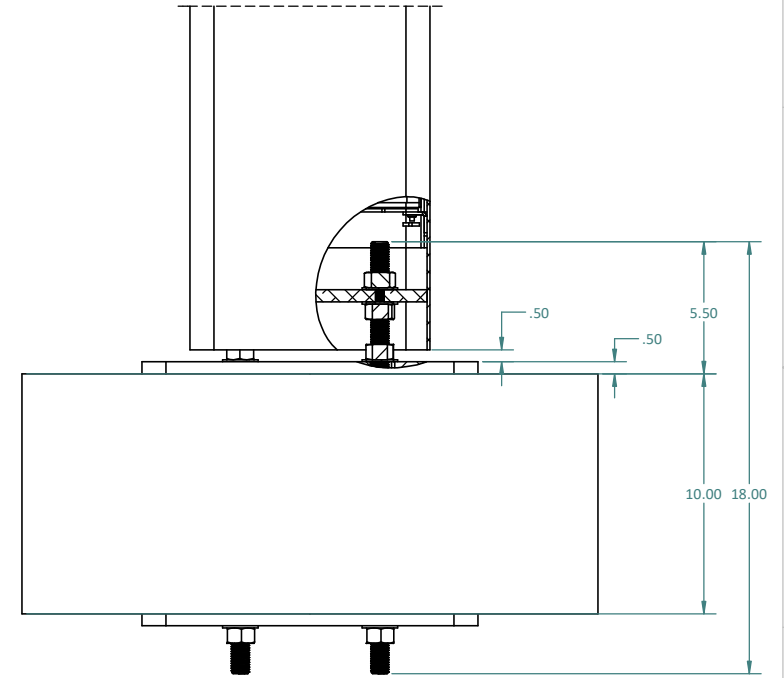
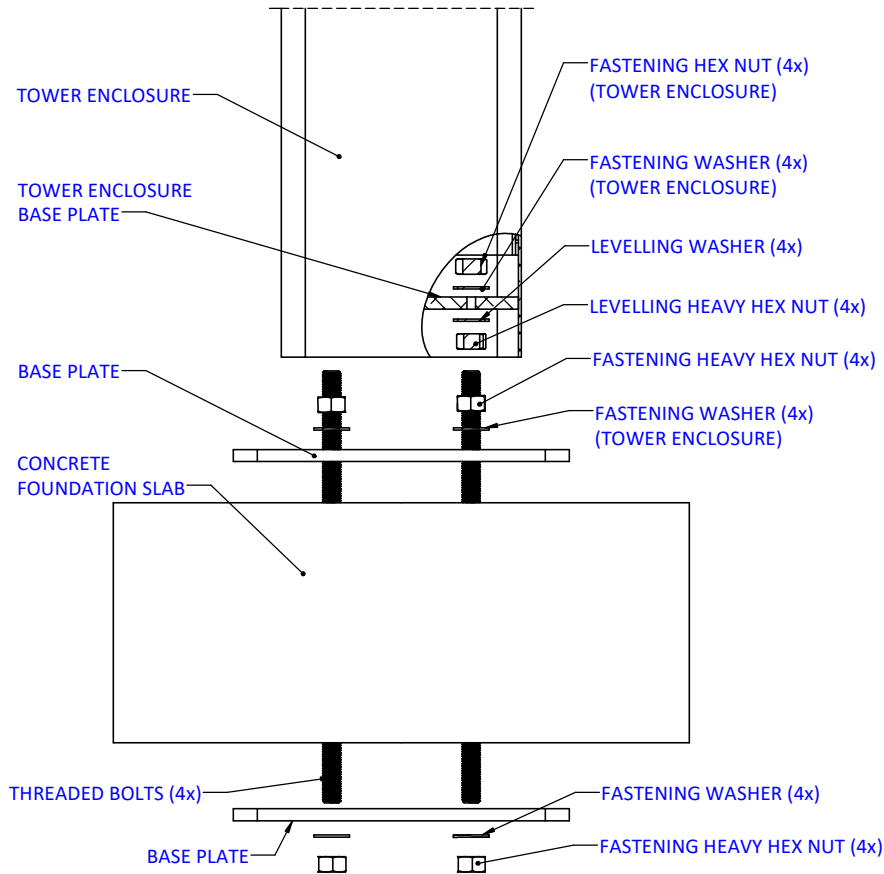


GENERAL NOTES:

COMPATIBILITY: ETP-PDMK-2 CAN BE USED WITH ETP-MT, ETP-MTE AND ETP-PM SERIES MOUNTS



ASSEMBLED VIEW

ECO	REV.	DESCRIPTION	DATE	APPROVED
2.0	2.0	BOLT PATTERN CHANGED TO SLOTTED	03/13/2020	J MAHETALIA

REVISION TABLE				
UNLESS OTHERWISE SPECIFIED:				
DRAWN	J MAHETALIA	NAME	DATE	03/13/2020
CHECKED	K PATEL	NAME	DATE	03/13/2020
ENG APPR.		NAME	DATE	
MEG APPR.		NAME	DATE	
Q.A.		NAME	DATE	
COMMENTS:				
DWG. TITLE: ETP-PDMK-2 PARKING DECK MOUNTING KIT				
PART NO.: ETP-PDMK-2				
DWG. NO.: C				
SCALE: 1:4				
WEIGHT:				
SHEET 1 OF 2				

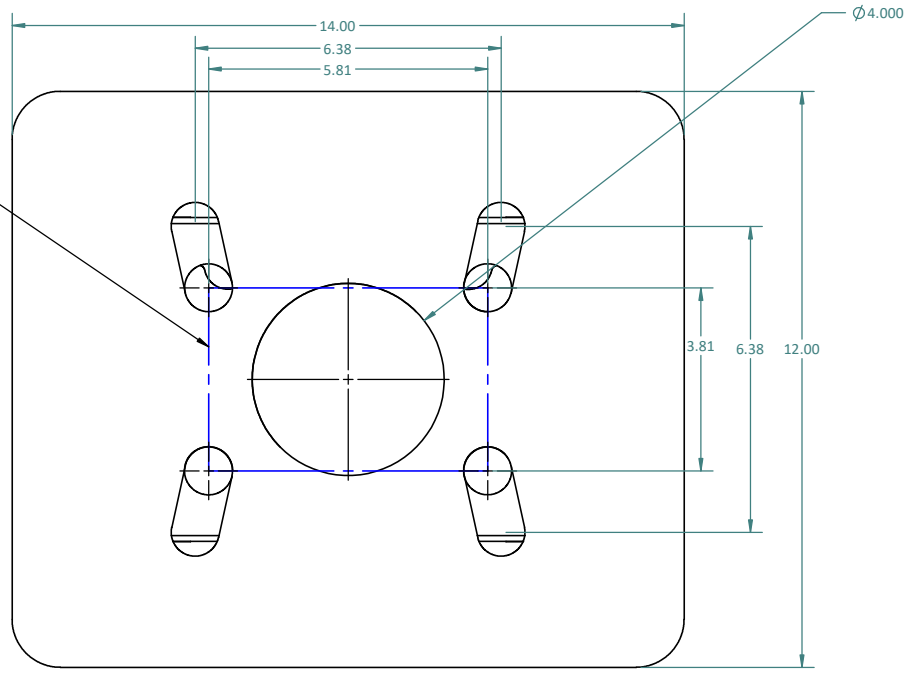
DO NOT SCALE DRAWING
 PROPRIETARY AND CONFIDENTIAL
 THE INFORMATION CONTAINED IN THIS DRAWING IS THE SOLE PROPERTY OF TALK-A-PHONE, LLC. ANY REPRODUCTION IN PART OR AS A WHOLE WITHOUT THE WRITTEN PERMISSION OF TALK-A-PHONE, LLC IS PROHIBITED.

INTERPRET GEOMETRIC TOLERANCING PER ASME Y14.5M-1994.
 MATERIAL:
 FINISH:
 MODEL FILE NAME: ETP-PDMK_INSTALL_ASSY

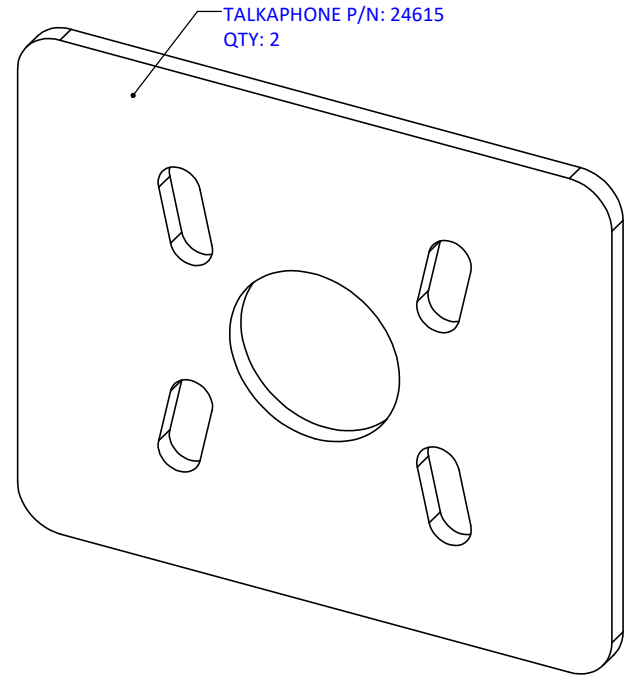
TALK-A-PHONE
 TALK-A-PHONE, LLC
 7530 N. NATCHEZ AVE., NILES, IL 60714
 WWW.TALKAPHONE.COM

REV 2.0

BOLT MOUNTING
PATTERN FOR
ETP-PDMK-2



BOTTOM VIEW



ISOMETRIC VIEW

	NAME	DATE
DRAWN	J MAHETALIA	03/13/2020
CHECKED	K PATEL	03/13/2020
ENG APPR.		
MFG APPR.		
Q.A.		
COMMENTS:		

TALKAPHONE
TALK-A-PHONE, LLC
7530 N. NATCHEZ AVE. NILES, IL 60714
WWW.TALKAPHONE.COM

FINISH
GALVANIZED FINISH
PROPRIETARY AND CONFIDENTIAL
THE INFORMATION CONTAINED IN THIS
DRAWING IS THE SOLE PROPERTY OF
TALK-A-PHONE, LLC. ANY
REPRODUCTION IN PART OR AS A WHOLE
WITHOUT THE WRITTEN PERMISSION OF
TALK-A-PHONE, LLC IS PROHIBITED.

DWG. TITLE:		REV
ETP-PDMK-2 PARKING DECK MOUNTING KIT		2.0
SIZE	PART NO. ETP-PDMK-2	
C	DWG. NO.	
SCALE: 1:4	WEIGHT:	SHEET 2 OF 2