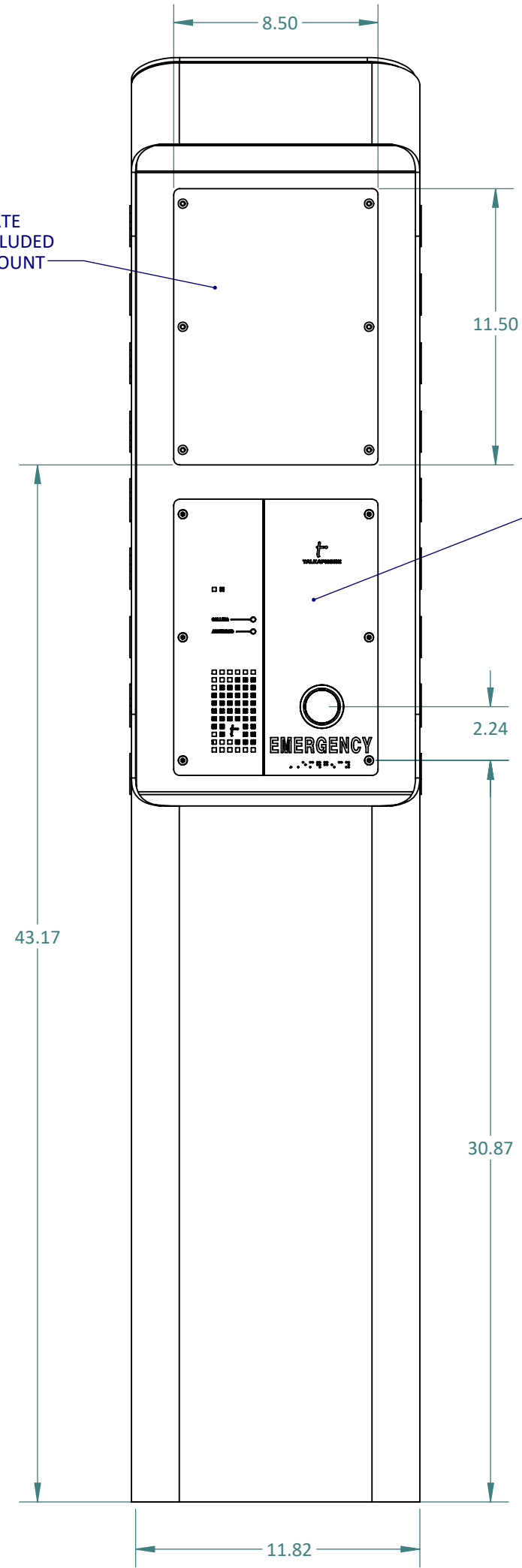


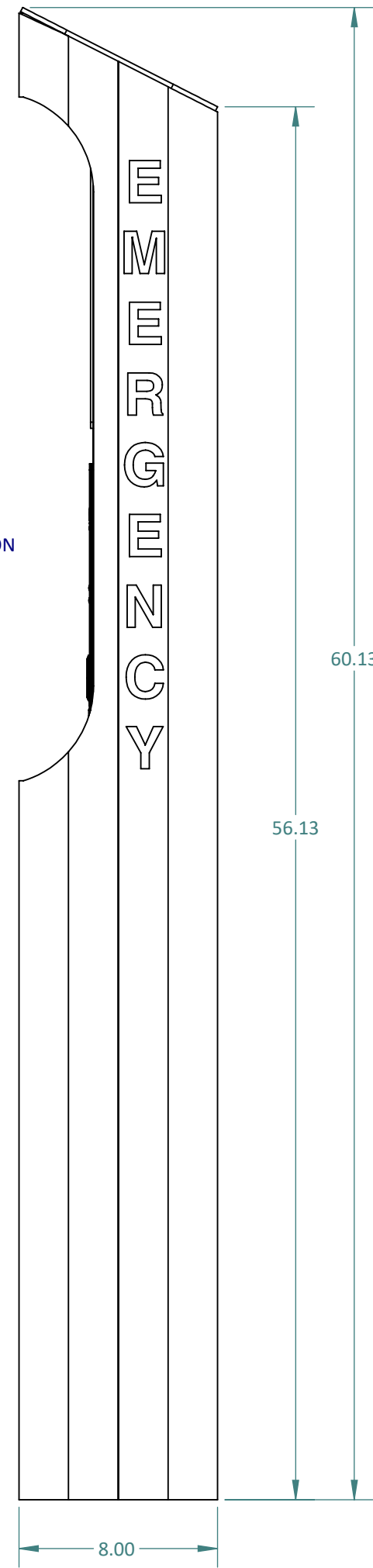
GENERAL NOTES:

BLANK FACEPLATE NOT INCLUDED WITH MOUNT

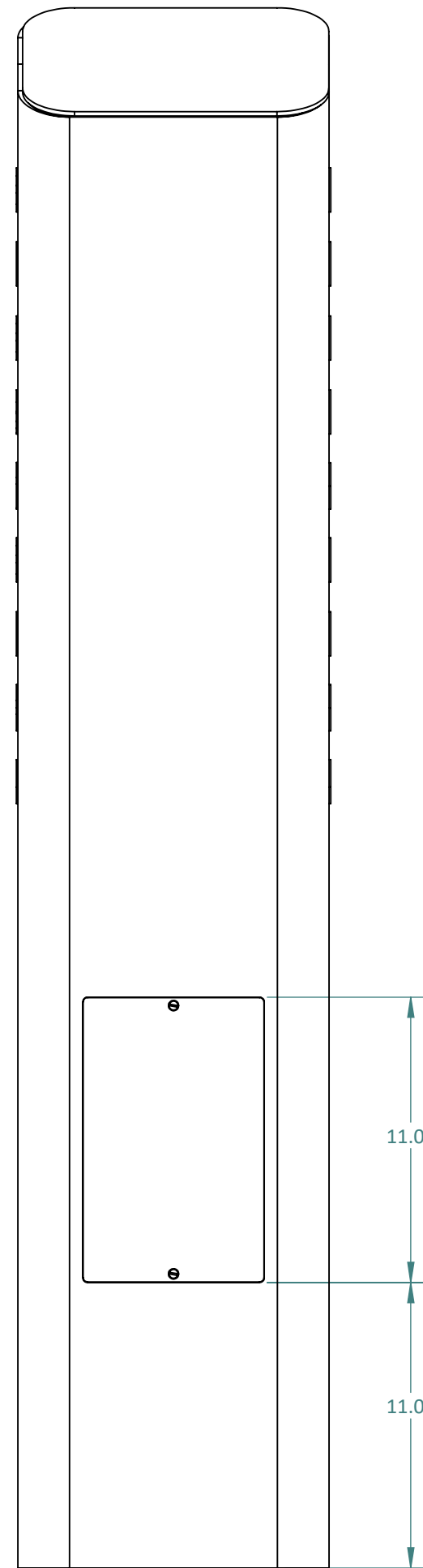
CALL STATION MODEL NO.: ETP-500E FOR ILLUSTRATION PURPOSES ONLY



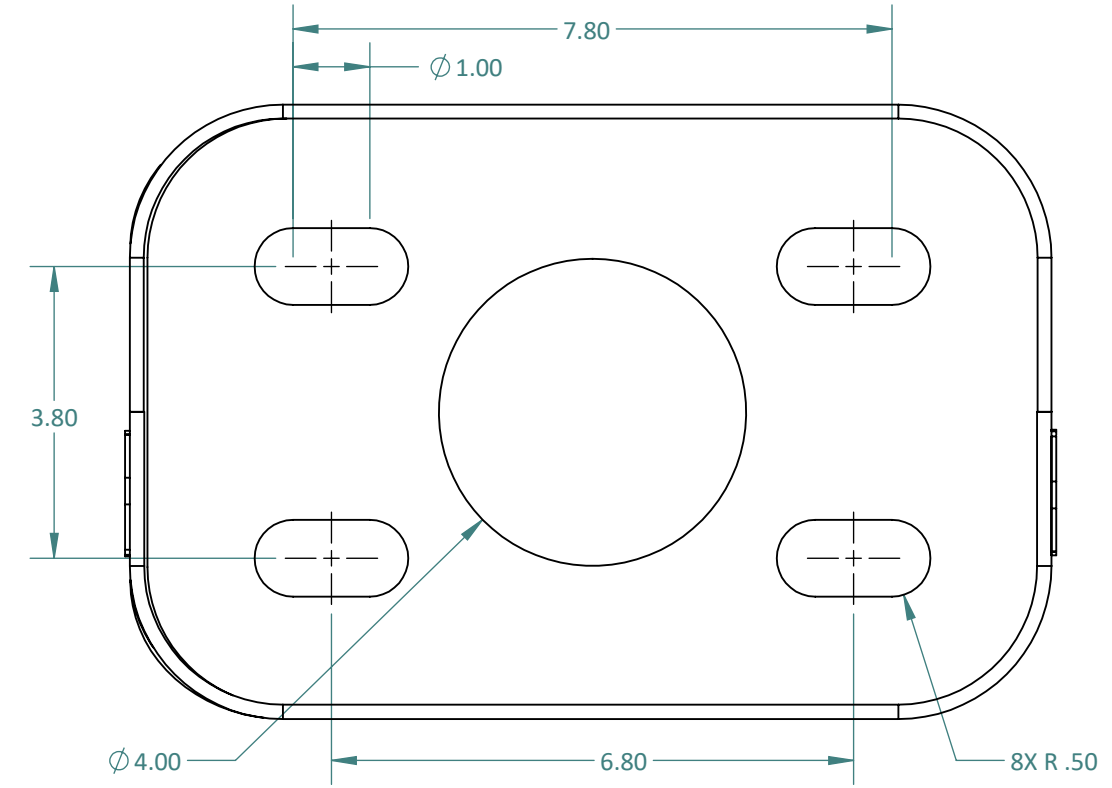
**FRONT VIEW**



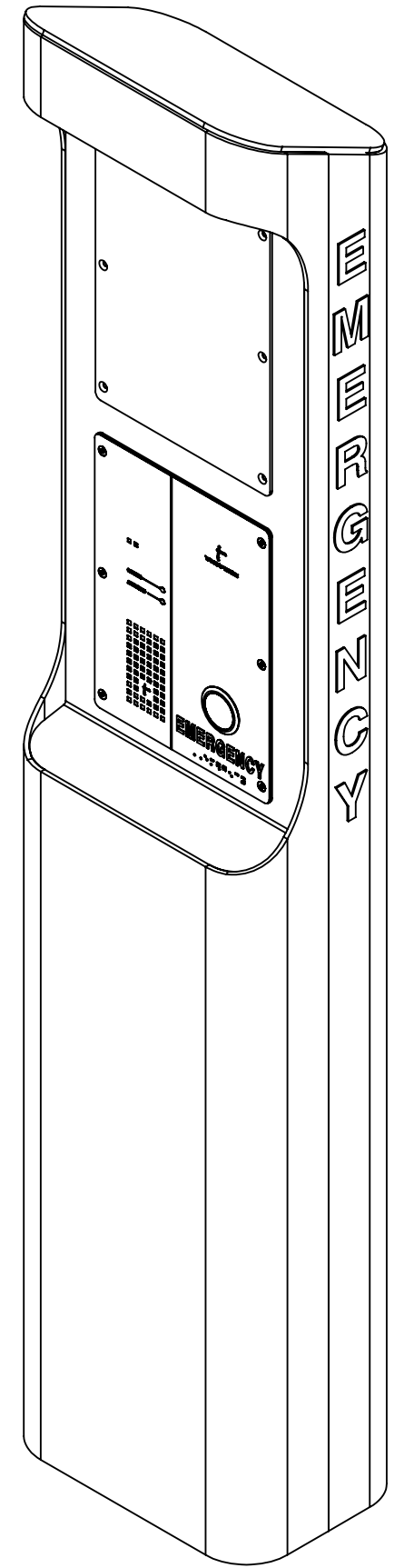
**SIDE VIEW**




**REAR VIEW**



**FOOT PRINT**

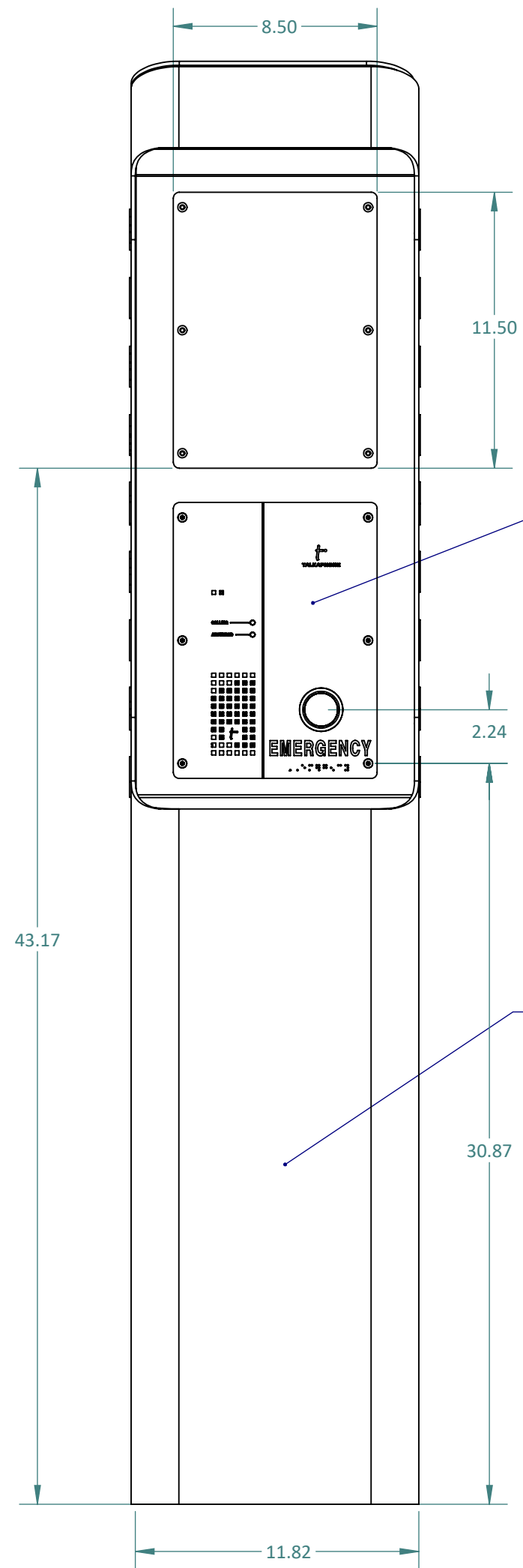


**ISOMETRIC VIEW**

1.0	MARKETING RELEASE	3/17/2022	N TERECH
REV.	DESCRIPTION	DATE	APPROVED
REVISIONS			
	NAME	DATE	
DRAWN	N TERECH	3/17/2022	
CHECKED	K PATEL	3/17/2022	
ENG APPR.			
MFG APPR.			
Q.A.			
COMMENTS:			
 <b>TALKAPHONE</b> TALK-A-PHONE, LLC 7530 N. NATCHEZ AVE., NILES, IL 60714 WWW.TALKAPHONE.COM		DWG. NO. SIZE PART NO. <b>ETP-PMD-SS</b> REV DWG. TITLE: <b>ETP-PMD-SS [SERIES]</b> <b>1.0</b> SCALE: 1:6 WEIGHT: SHEET 1 OF 2	

**FINISH**  
 PROPRIETARY AND CONFIDENTIAL  
 THE INFORMATION CONTAINED IN THIS DRAWING IS THE SOLE PROPERTY OF TALK-A-PHONE, LLC. ANY REPRODUCTION IN PART OR AS A WHOLE WITHOUT THE WRITTEN PERMISSION OF TALK-A-PHONE, LLC IS PROHIBITED.

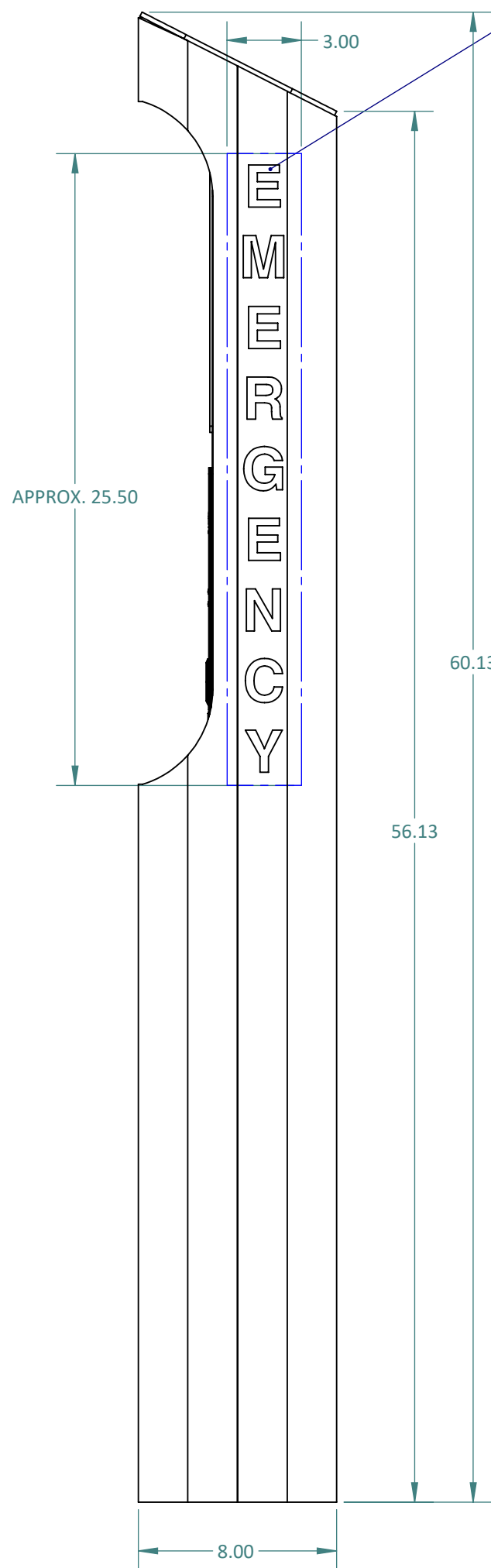
GENERAL NOTES:



**FRONT VIEW**

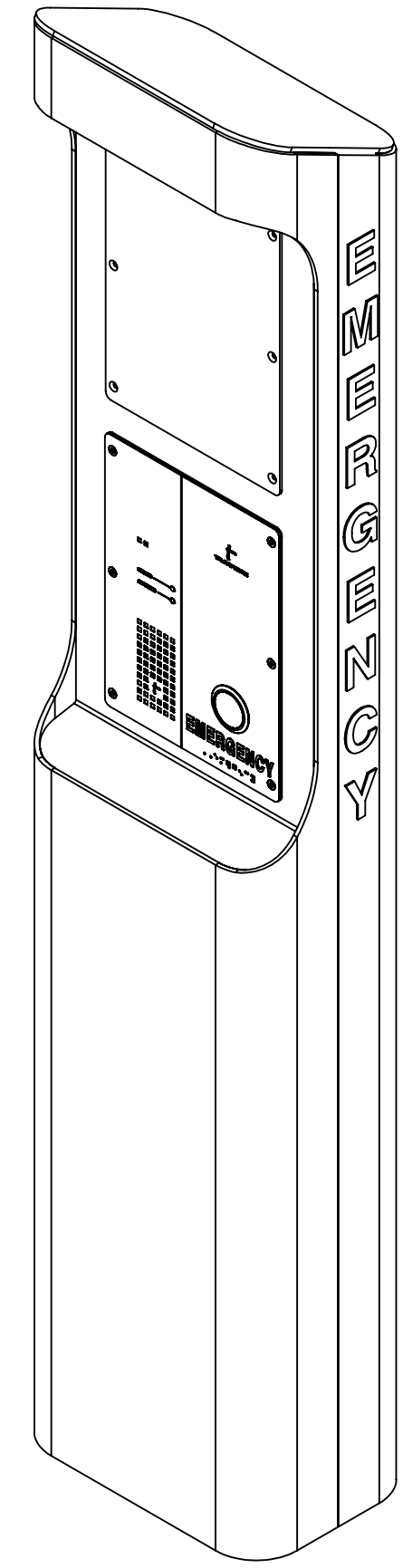
CALL STATION  
MODEL NO.:  
ETP-500E  
FOR ILLUSTRATION  
PURPOSES ONLY

STANDARD FINISH:  
STAINLESS STEEL  
#4 BRUSH FINISH




**SIDE VIEW**

STANDARD SIGNAGE:  
SIGNAGE ON TWO SIDES:  
HIGH REFLECTIVE WHITE "EMERGENCY"  
LETTERING WITH WIDE ANGLE VISIBILITY  
ALSO AVAILABLE WITH "ASSISTANCE",  
"INFORMATION", OR CUSTOM LETTERING  
AND COLORS.



**ISOMETRIC VIEW**

1.0	MARKETING RELEASE	3/17/2022	N TERECH
REV.	DESCRIPTION	DATE	APPROVED
REVISIONS			
	NAME	DATE	
DRAWN	N TERECH	3/17/2022	
CHECKED	K PATEL	3/17/2022	
ENG APPR.			
MFG APPR.			
Q.A.			
COMMENTS:			



**TALKAPHONE**  
TALK-A-PHONE, LLC  
7530 N. NATCHEZ AVE., NILES, IL 60714  
WWW.TALKAPHONE.COM

SIZE	PART NO. ETP-PMD-SS	REV
<b>C</b>	DWG. TITLE: ETP-PMD-SS [SERIES]	<b>1.0</b>
SCALE: 1:6	WEIGHT:	SHEET 2 OF 2

FINISH  
PROPRIETARY AND CONFIDENTIAL  
THE INFORMATION CONTAINED IN THIS  
DRAWING IS THE SOLE PROPERTY OF  
TALK-A-PHONE, LLC. ANY  
REPRODUCTION IN PART OR AS A WHOLE  
WITHOUT THE WRITTEN PERMISSION OF  
TALK-A-PHONE, LLC IS PROHIBITED.