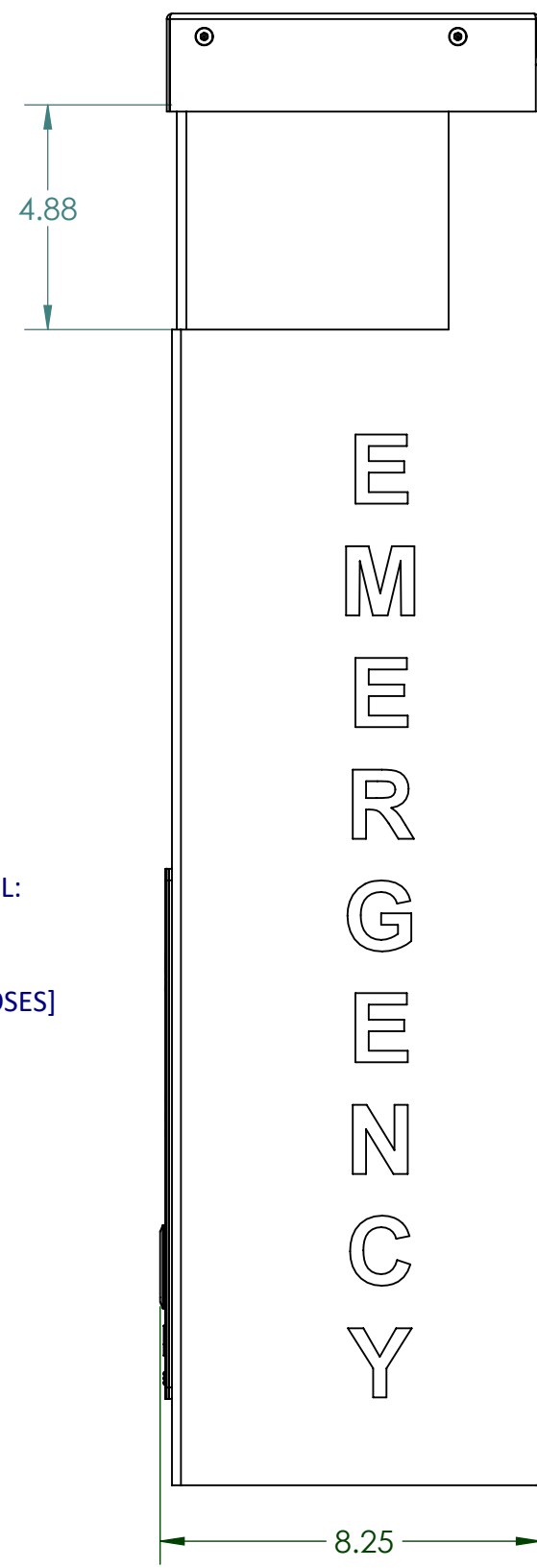
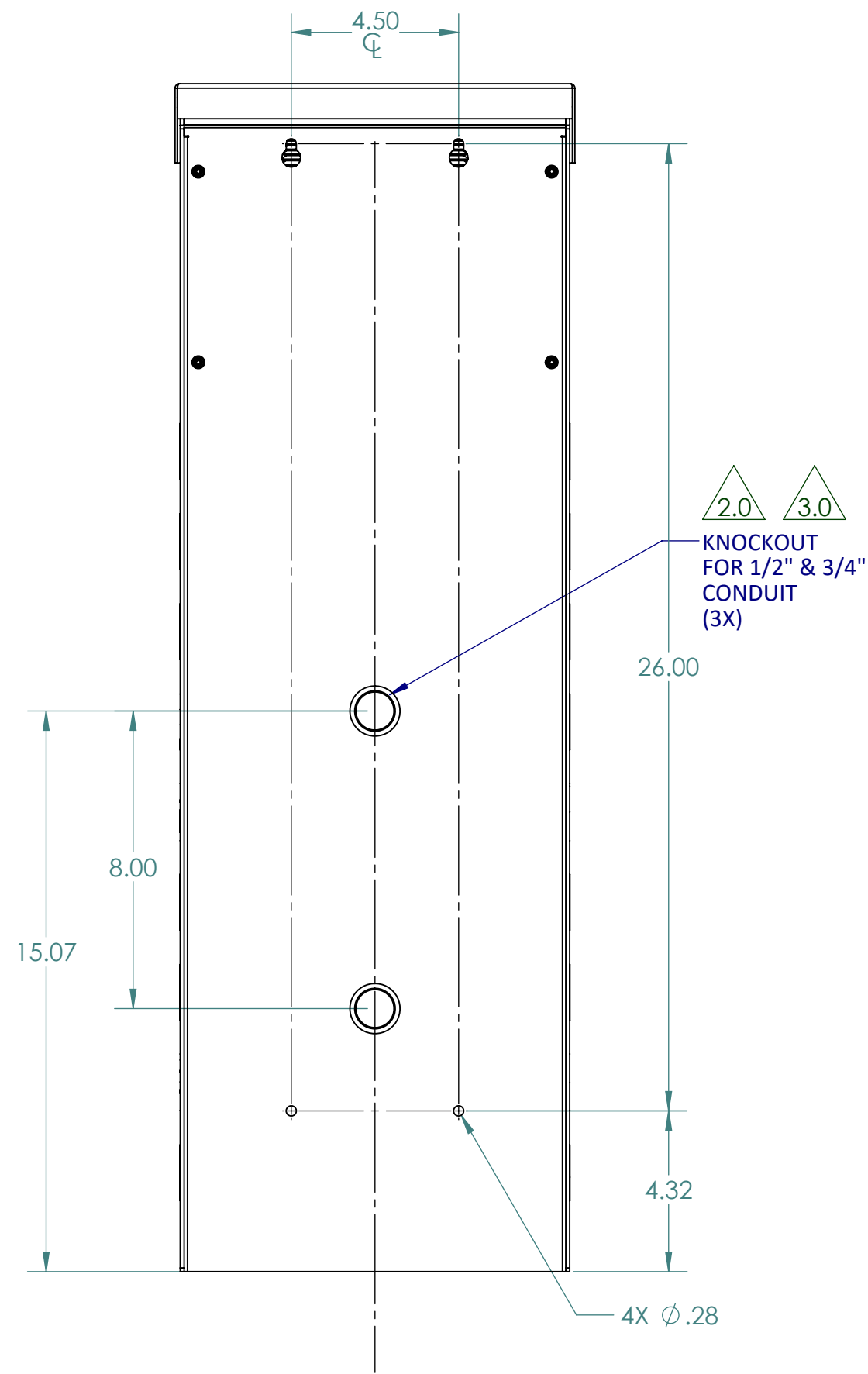


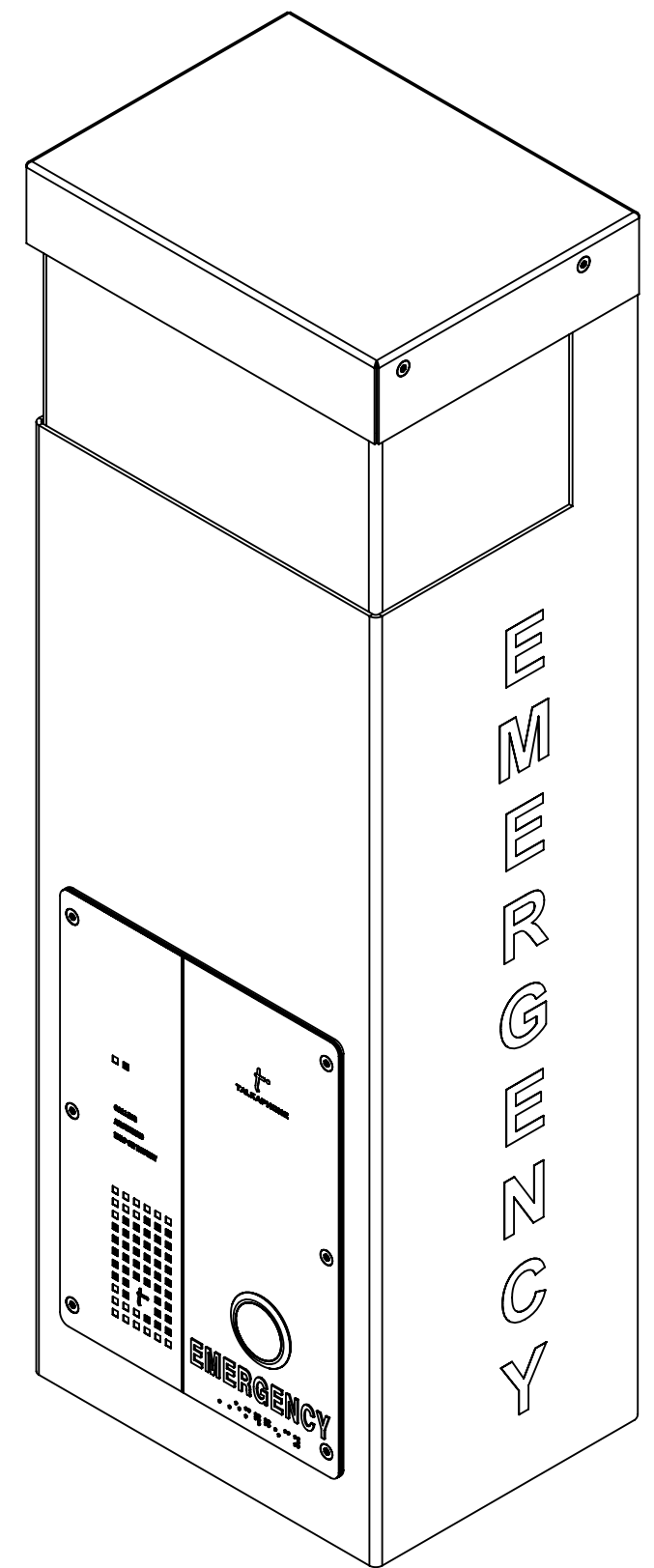
FRONT VIEW



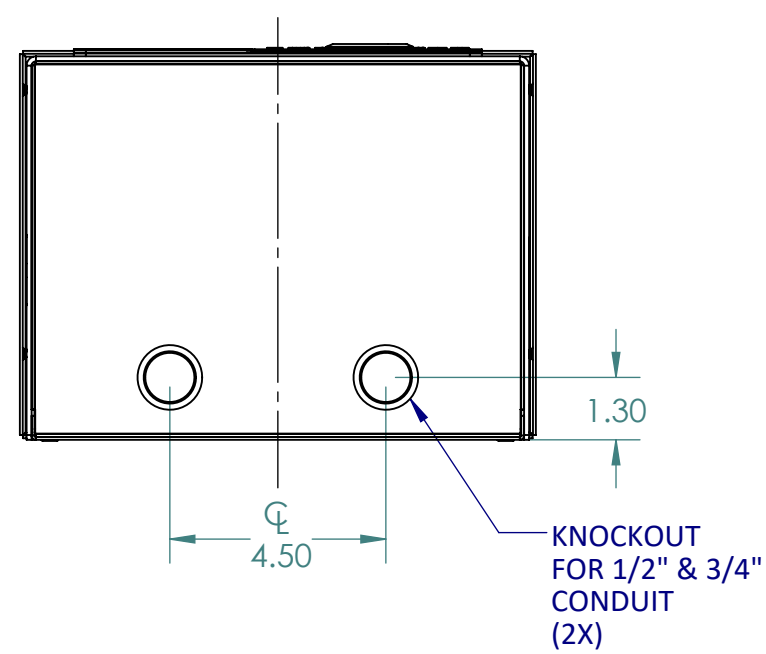
SIDE VIEW



REAR VIEW



ISOMETRIC VIEW



BOTTOM VIEW

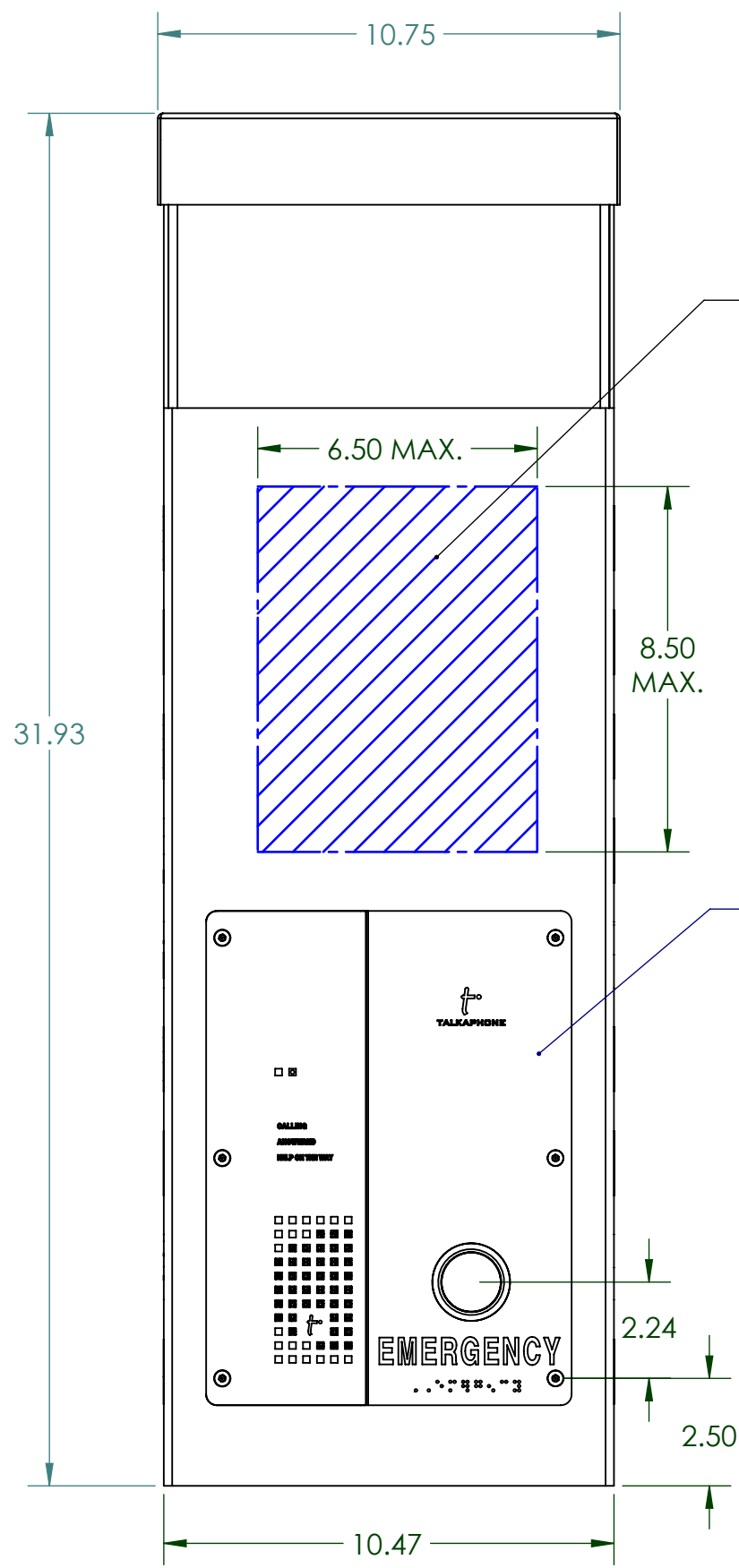
REV.	DESCRIPTION	DATE	APPROVED
3.0	ROLLED BACK 2-HOLE KNOCKOUT PATTERN	3/4/2019	M OBAL
2.0	CHANGED KNOCKOUT LOCATION	11/1/2017	M OBAL

REVISIONS			
NAME	DATE		
DRAWN: M OBAL	11/01/2017		
CHECKED: K PATEL	11/01/2017		
ENG APPR.			
MFG APPR.			
Q.A.			
COMMENTS:			

**TALKPHONE**  
TALK-A-PHONE, LLC  
7530 N. NATCHEZ AVE., NILES, IL 60714  
WWW.TALKPHONE.COM

**FINISH**  
THE INFORMATION CONTAINED IN THIS DRAWING IS THE SOLE PROPERTY OF TALK-A-PHONE, LLC. ANY REPRODUCTION IN PART OR AS A WHOLE WITHOUT THE WRITTEN PERMISSION OF TALK-A-PHONE, LLC IS PROHIBITED.

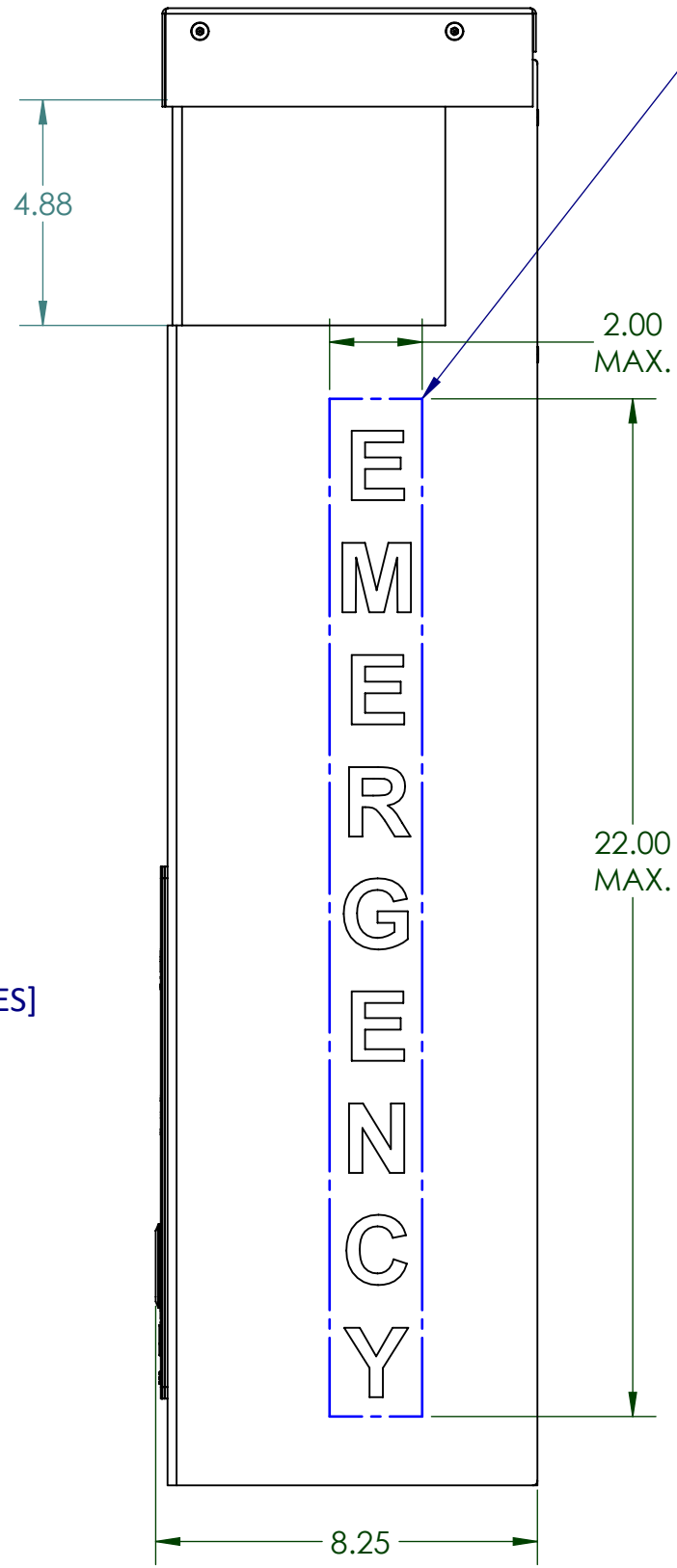
SIZE	PART NO.	ETP-WME	REV
<b>C</b>			<b>3.0</b>
SCALE: 1:8	WEIGHT:	SHEET 1 OF 2	



**FRONT VIEW**

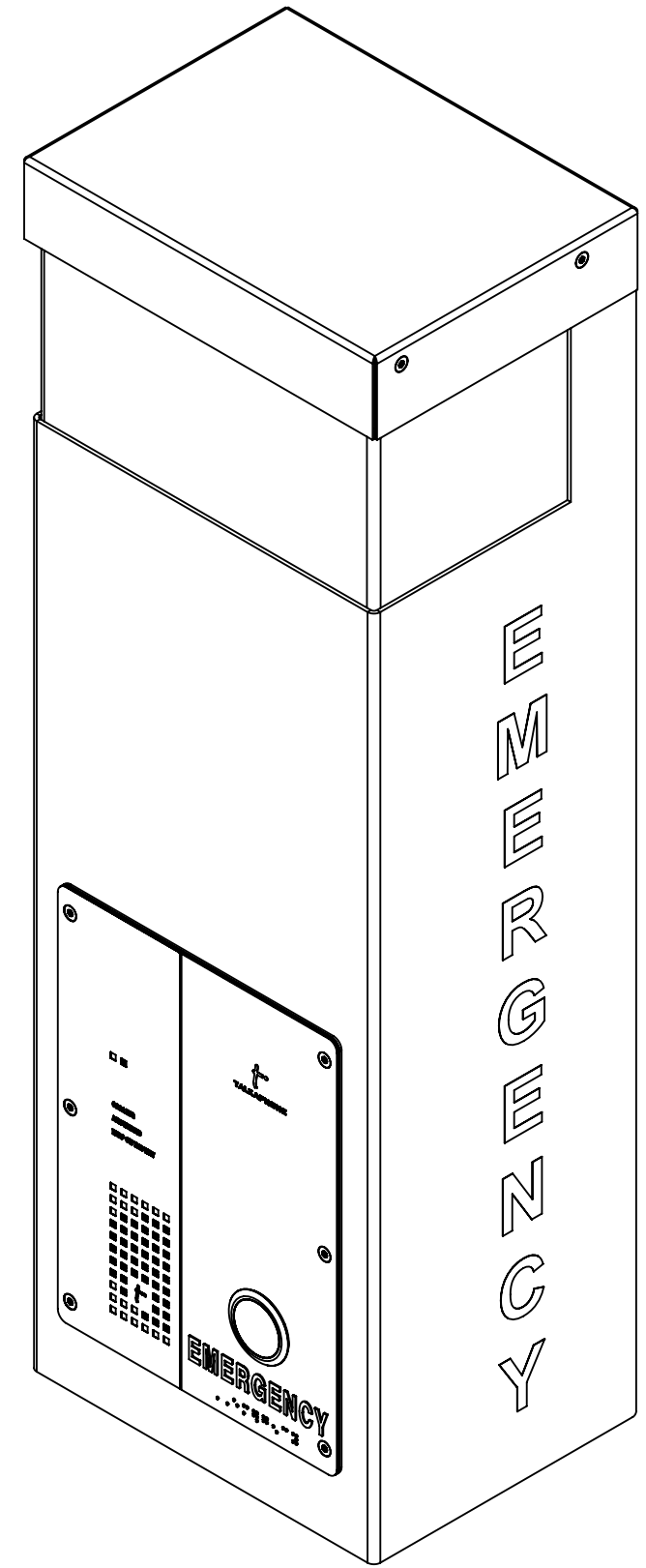
**OPTIONAL SIGNAGE:**  
AVAILABLE AREA FOR  
CUSTOM GRAPHICS  
(NON-REFLECTIVE)  
AND/OR VERBIAGE  
(REFLECTIVE).

CALL STATION MODEL:  
VOIP-600E  
[SHOWN FOR  
ILLUSTRATIVE PURPOSES]



**SIDE VIEW**

**STANDARD SIGNAGE:**  
SIGNAGE ON TWO SIDES:  
2" HIGH REFLECTIVE RED "EMERGENCY"  
LETTERING WITH WIDE ANGLE  
VISIBILITY IS STANDARD  
ALSO AVAILABLE WITH  
"ASSISTANCE", "INFORMATION",  
OR CUSTOM LETTERING AND COLORS.



	NAME	DATE
DRAWN	M OBAL	11/01/2017
CHECKED	K PATEL	11/01/2017
ENG APPR.		
MFG APPR.		
Q.A.		

**TALKAPHONE**  
TALK-A-PHONE, LLC  
7530 N. NATCHEZ AVE., NILES, IL 60714  
WWW.TALKAPHONE.COM

FINISH

**PROPRIETARY AND CONFIDENTIAL**  
THE INFORMATION CONTAINED IN THIS  
DRAWING IS THE SOLE PROPERTY OF  
TALK-A-PHONE, LLC. ANY  
REPRODUCTION IN PART OR AS A WHOLE  
WITHOUT THE WRITTEN PERMISSION OF  
TALK-A-PHONE, LLC IS PROHIBITED.

COMMENTS:

SIZE	PART NO.	ETP-WME	REV
<b>C</b>			<b>3.0</b>
SCALE: 1:8	WEIGHT:	SHEET 2 OF 2	