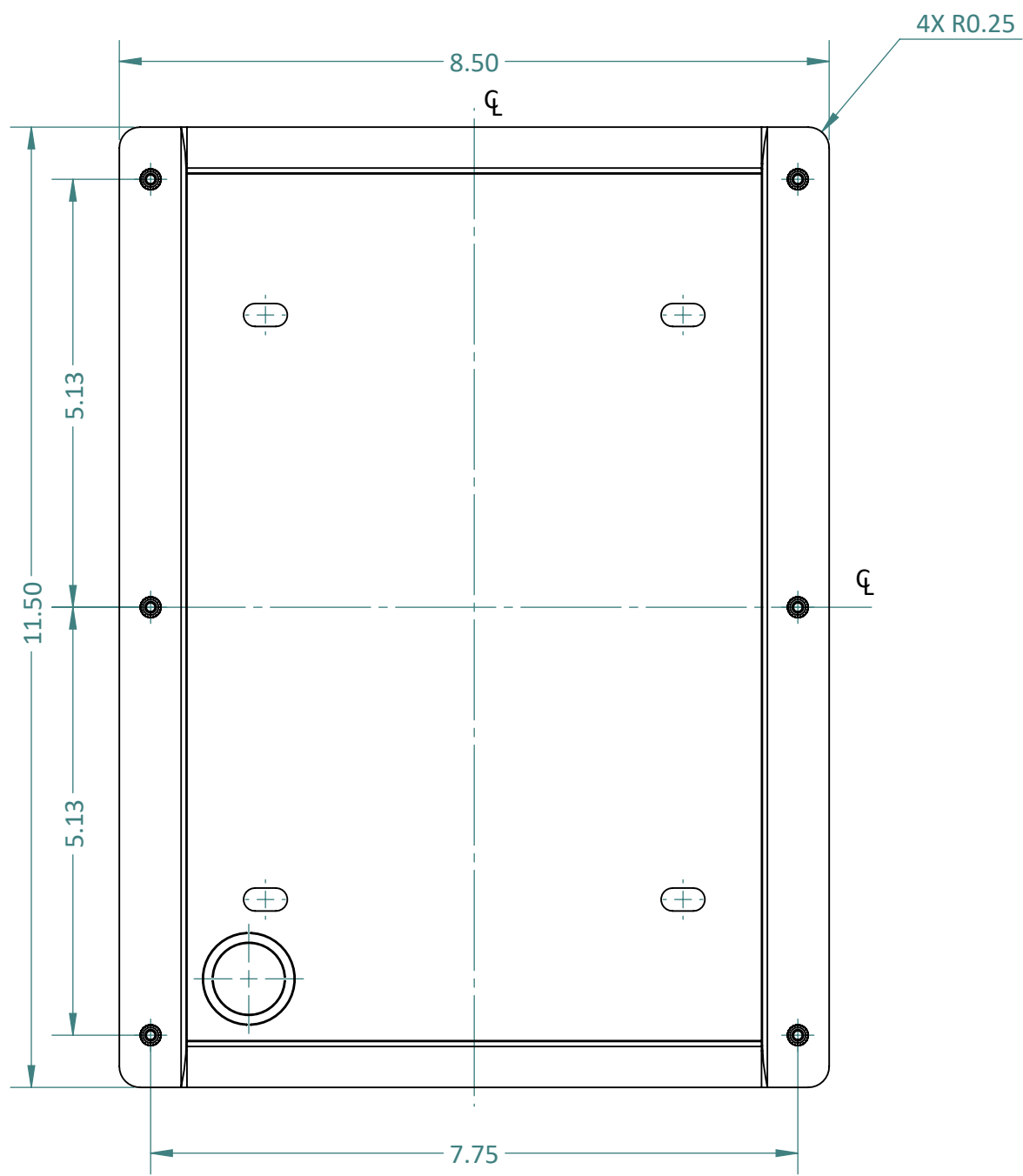
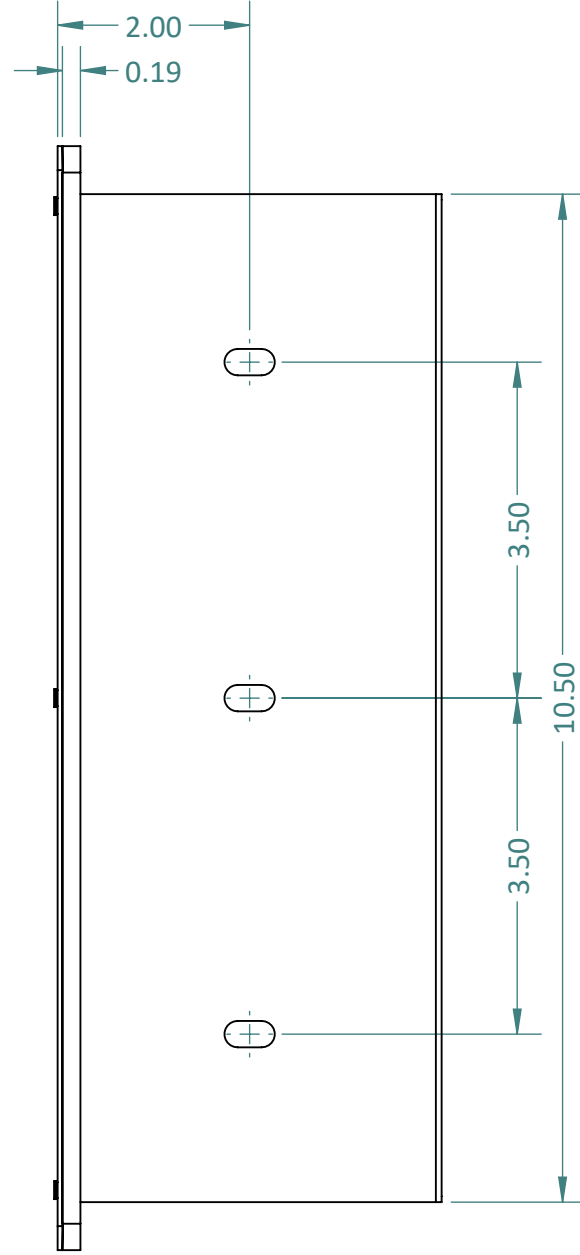


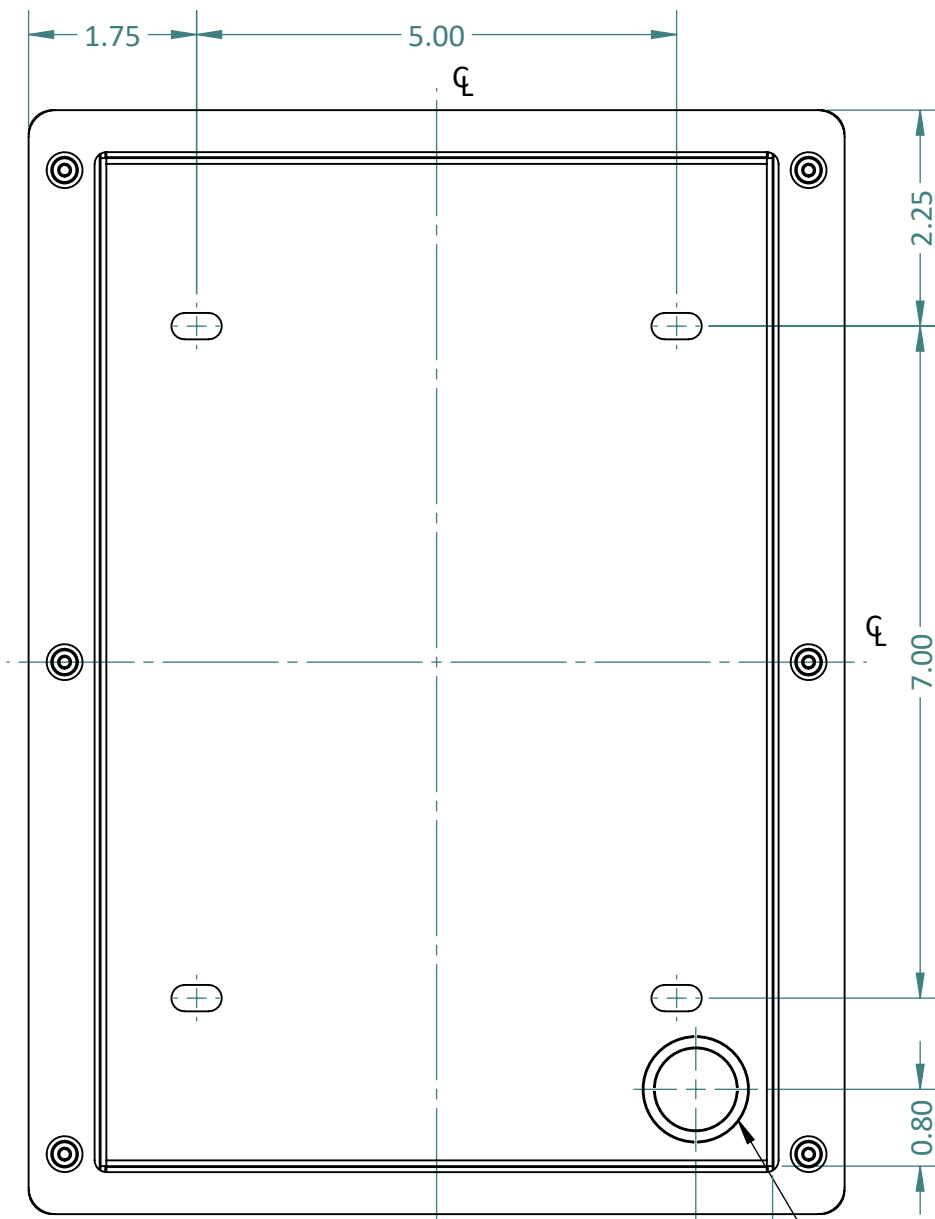
GENERAL NOTES:  
 MS-600 FLUSH MOUNT SLEEVE INCLUDES A GASKET THAT CAN BE INSTALLED BETWEEN THE MS-600 AND THE WALL FOR SEALING PURPOSES.



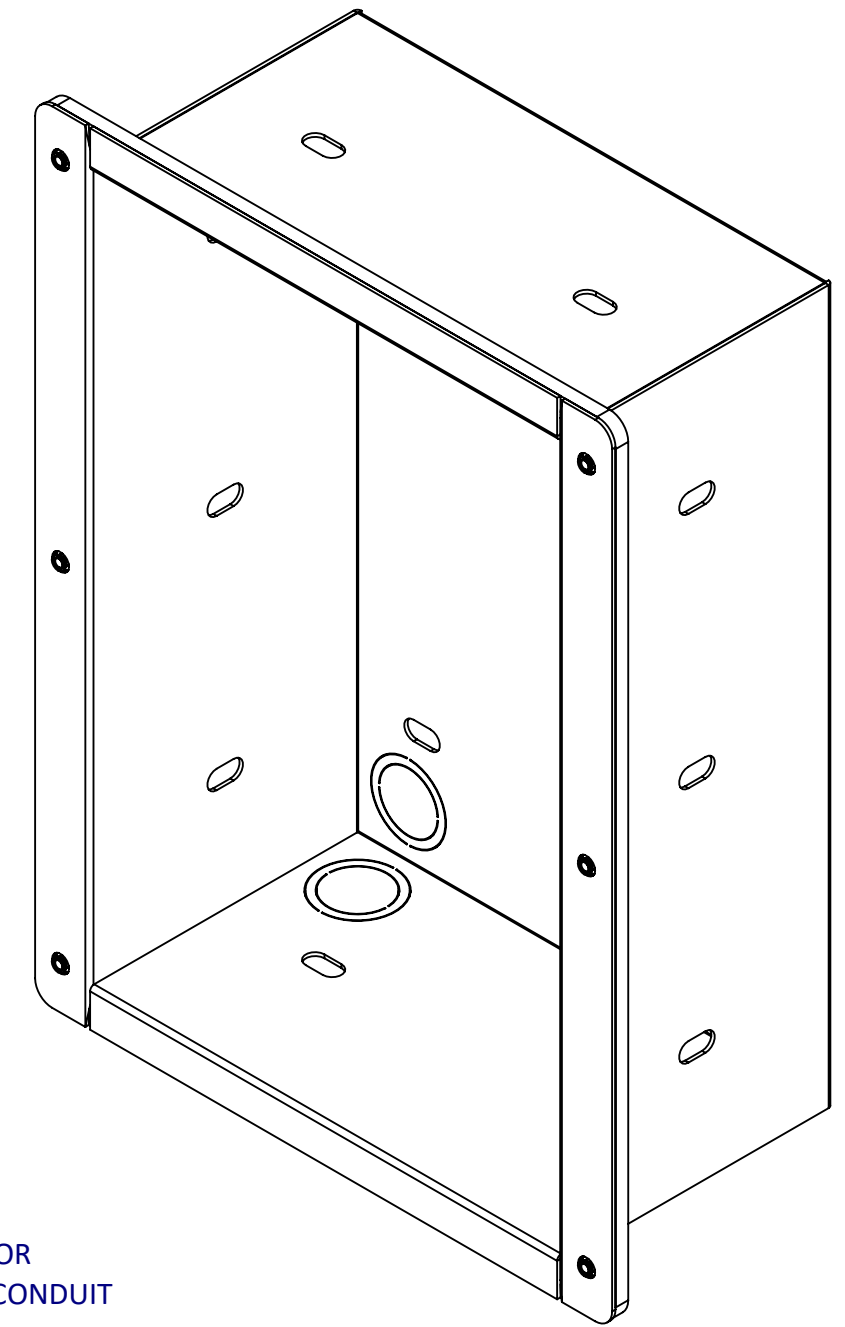
**FRONT VIEW**



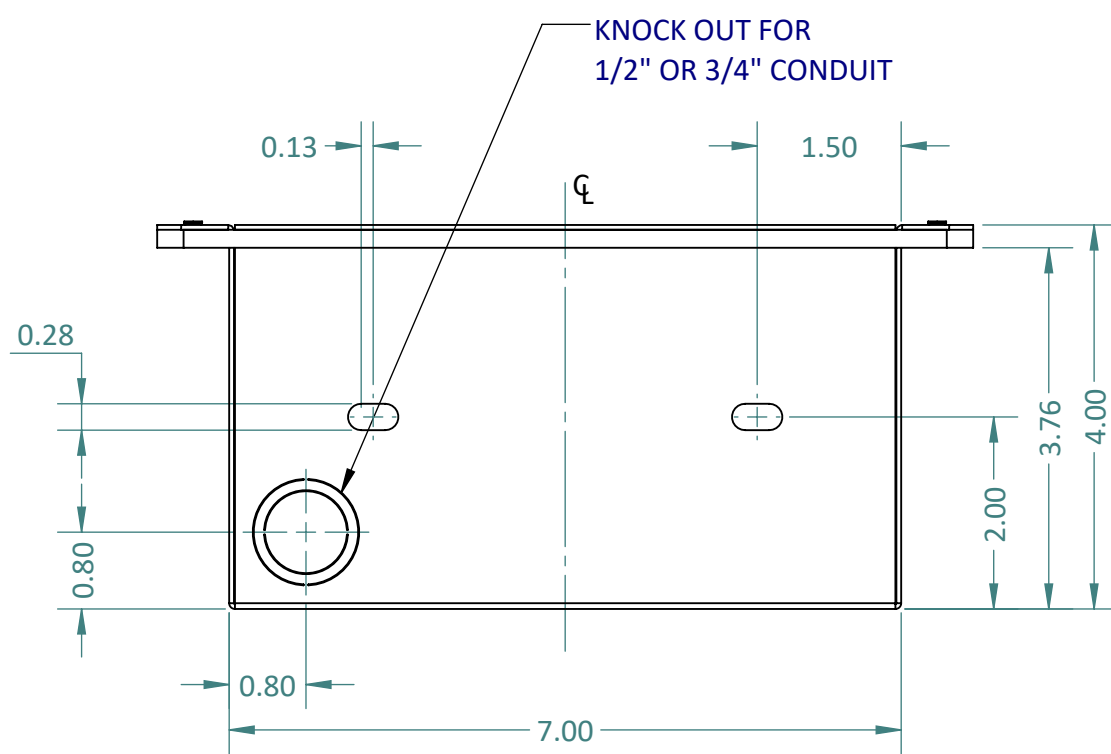
**SIDE VIEW**



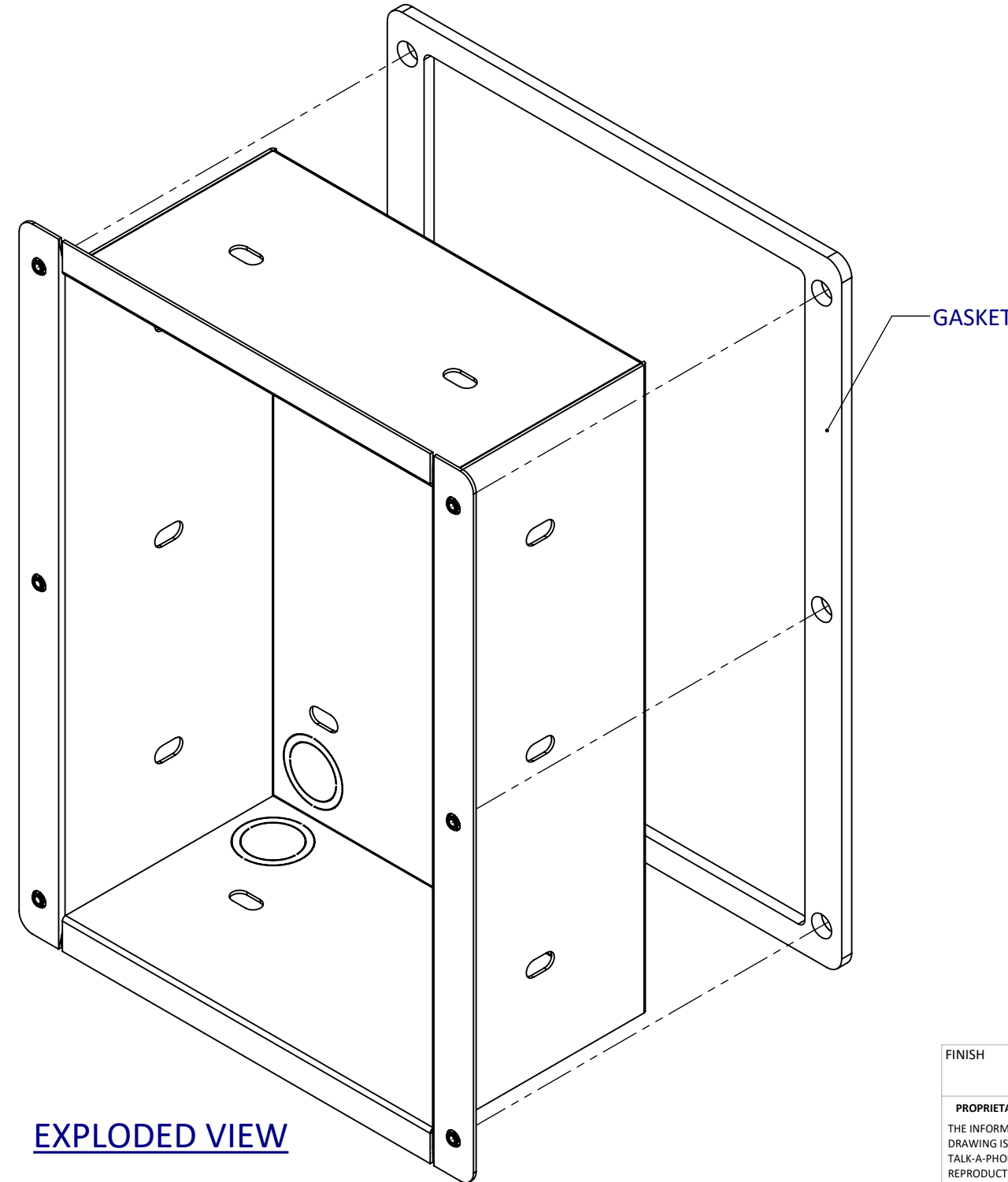
**REAR VIEW**



**ISOMETRIC VIEW**



**BOTTOM VIEW**



**EXPLODED VIEW**

FINISH  
 PROPRIETARY AND CONFIDENTIAL  
 THE INFORMATION CONTAINED IN THIS DRAWING IS THE SOLE PROPERTY OF TALK-A-PHONE, LLC. ANY REPRODUCTION IN PART OR AS A WHOLE WITHOUT THE WRITTEN PERMISSION OF TALK-A-PHONE, LLC IS PROHIBITED.

2.0	MARKETING RELEASE	10/12/2020	J MAHETALIA
REV.	DESCRIPTION	DATE	APPROVED
REVISIONS			
	NAME	DATE	
DRAWN	J MAHETALIA	10/12/2020	
CHECKED	K PATEL	10/12/2020	
ENG APPR.			
MFG APPR.			
Q.A.			
COMMENTS:			
 <b>TALKAPHONE</b> TALK-A-PHONE, LLC 7530 N. NATCHEZ AVE. NILES, IL 60714 WWW.TALKAPHONE.COM		DWG. NO. SIZE PART NO. MS-600 DWG. TITLE: MS-600 MOUNTING SLEEVE SCALE: 1:2 WEIGHT: SHEET 1 OF 1	
		REV	2.0