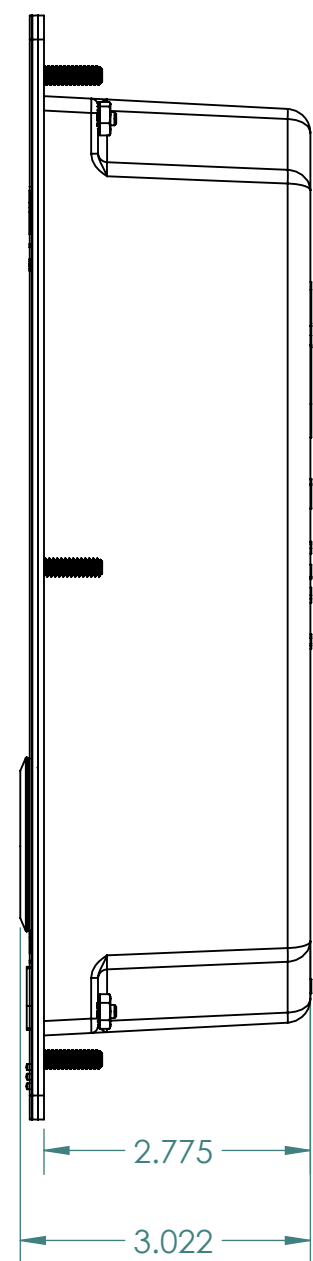
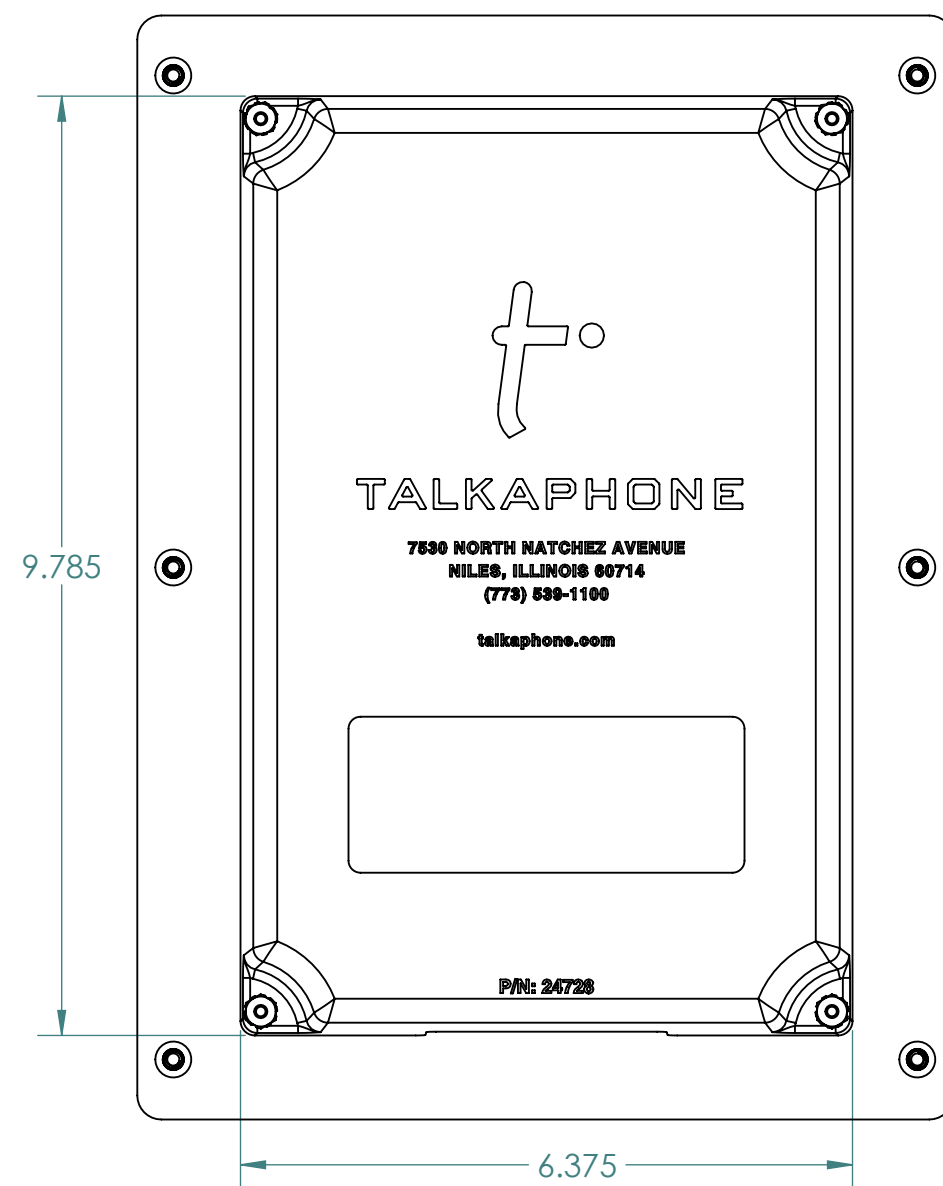


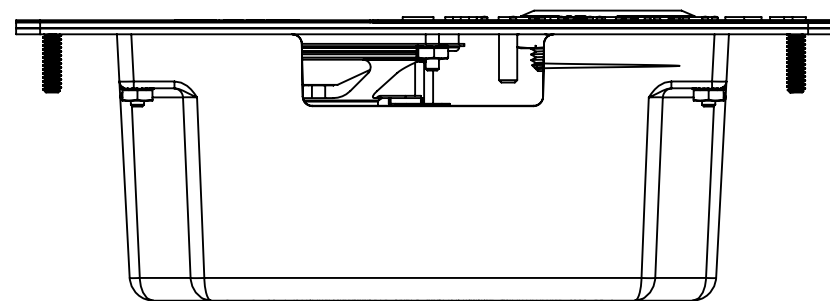
FRONT VIEW



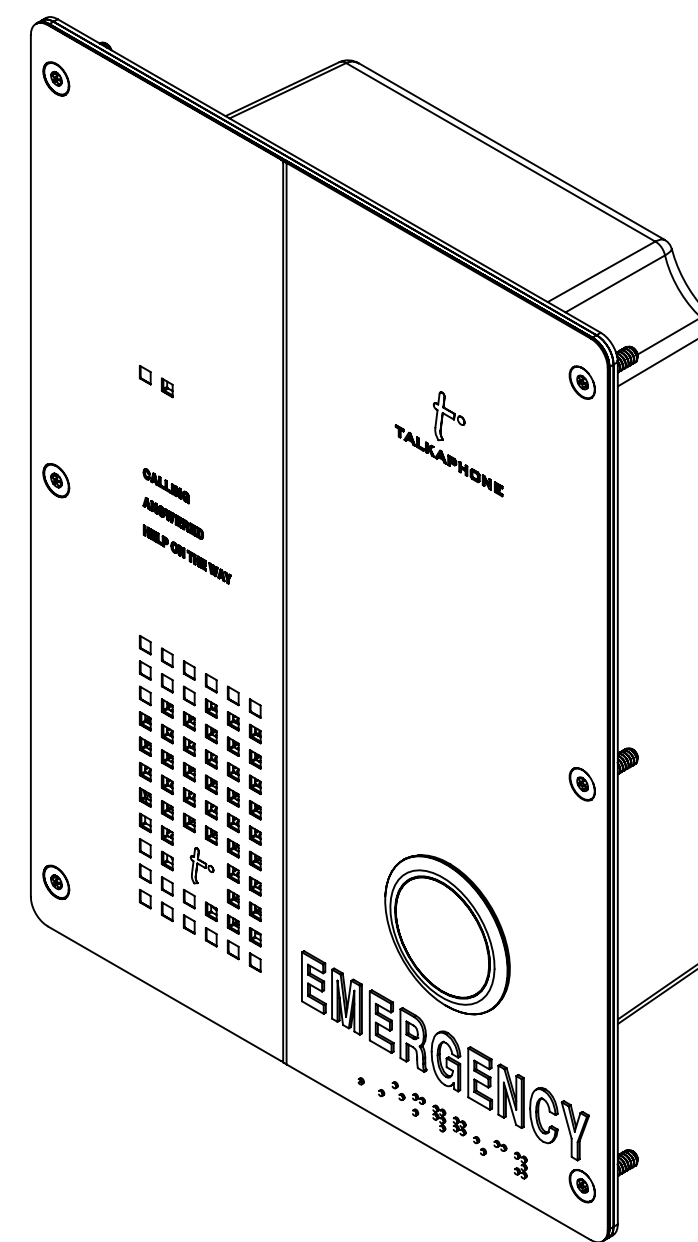
SIDE VIEW



REAR VIEW



BOTTOM VIEW



1.0	MARKETING RELEASE	09/15/2014	K PATEL	
REV.	DESCRIPTION	DATE	APPROVED	
REVISIONS				
	NAME	DATE		
DRAWN	K PATEL	09/15/2014		
CHECKED	J KAROL	09/15/2014		
ENG APPR.				
MFG APPR.				
Q.A.				
COMMENTS:				
<p>PROPRIETARY AND CONFIDENTIAL THE INFORMATION CONTAINED IN THIS DRAWING IS THE SOLE PROPERTY OF TALK-A-PHONE COMPANY. ANY REPRODUCTION IN PART OR AS A WHOLE WITHOUT THE WRITTEN PERMISSION OF TALK-A-PHONE COMPANY IS PROHIBITED.</p>		 TALKAPHONE TALK-A-PHONE CO. 7530 N. NATCHEZ AVE. NILES, IL 60714 WWW.TALKAPHONE.COM		
		DWG. NO.		
		SIZE	PART NO. PHONE-600E	REV
		C	DWG. TITLE: ADA COMPLIANT EMERGENCY PHONE	1.0
SCALE: 1:4	WEIGHT:	SHEET 1 OF 1		