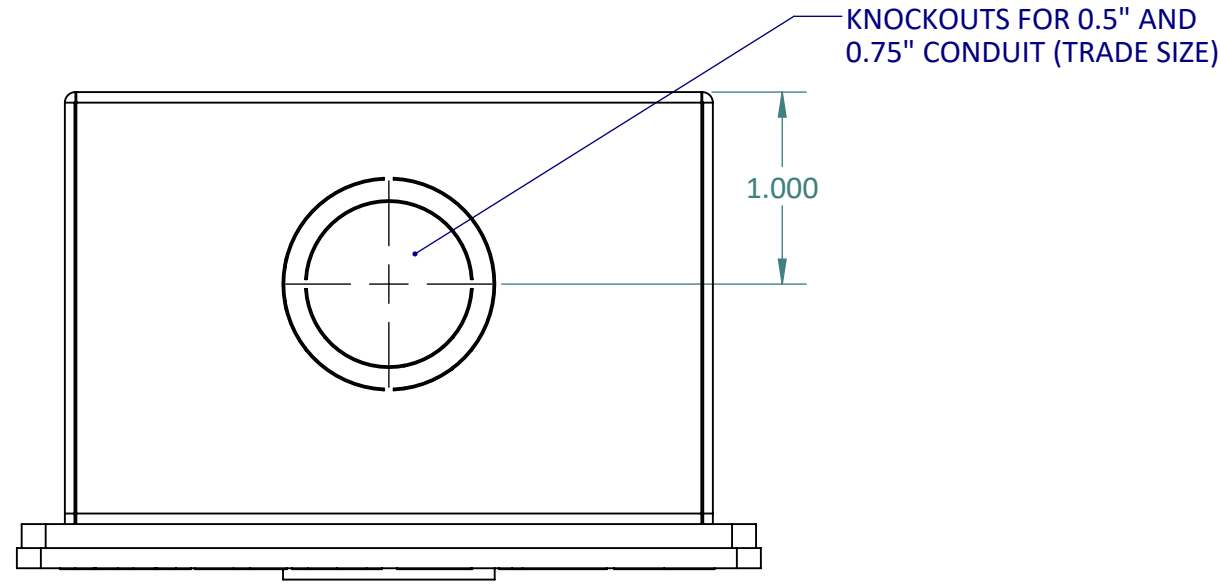
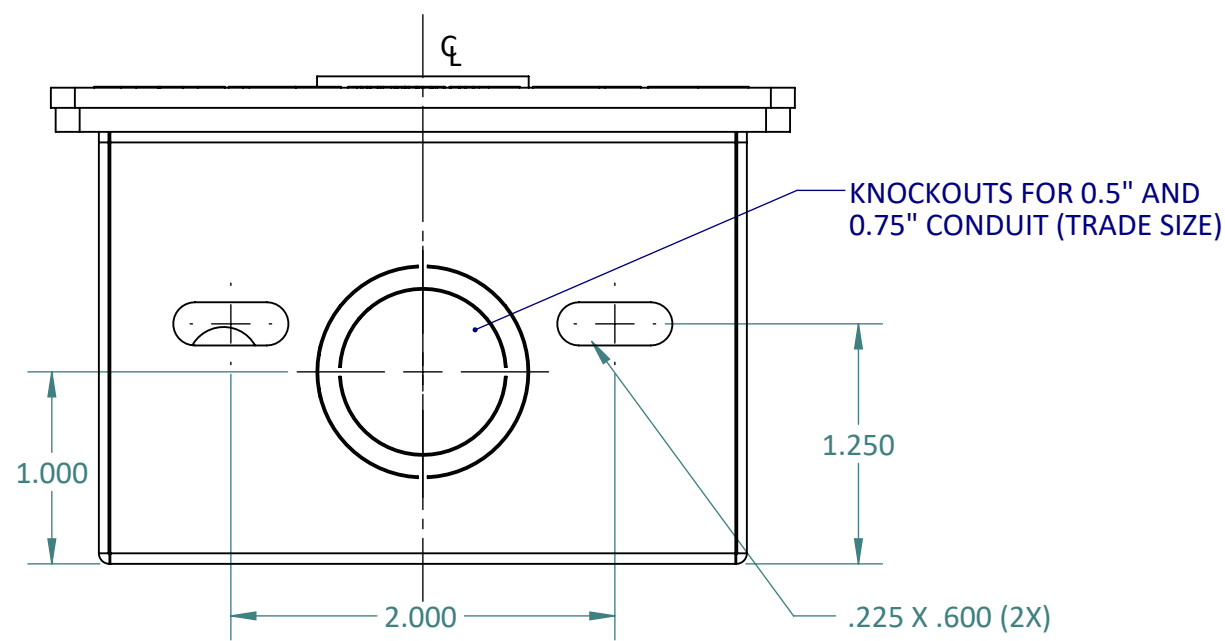
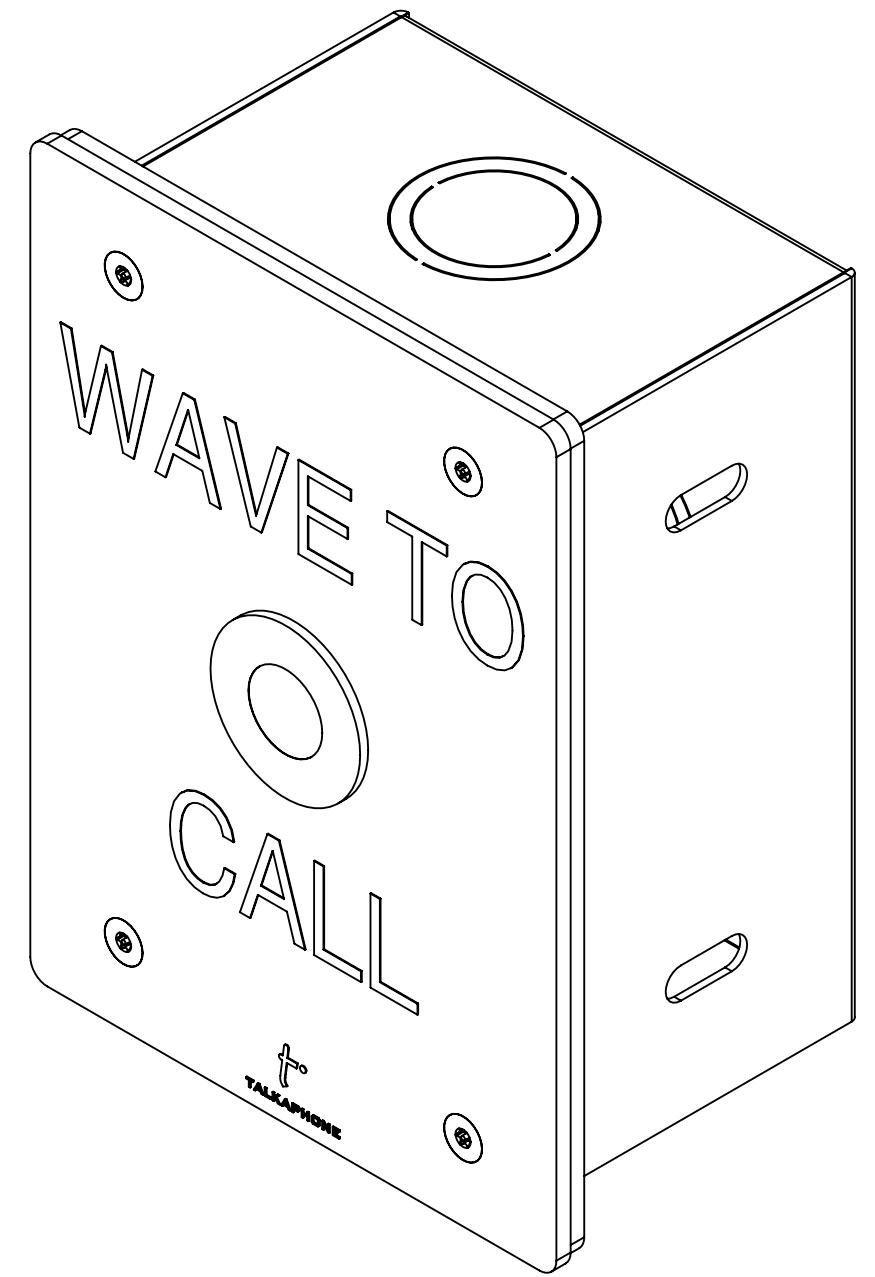
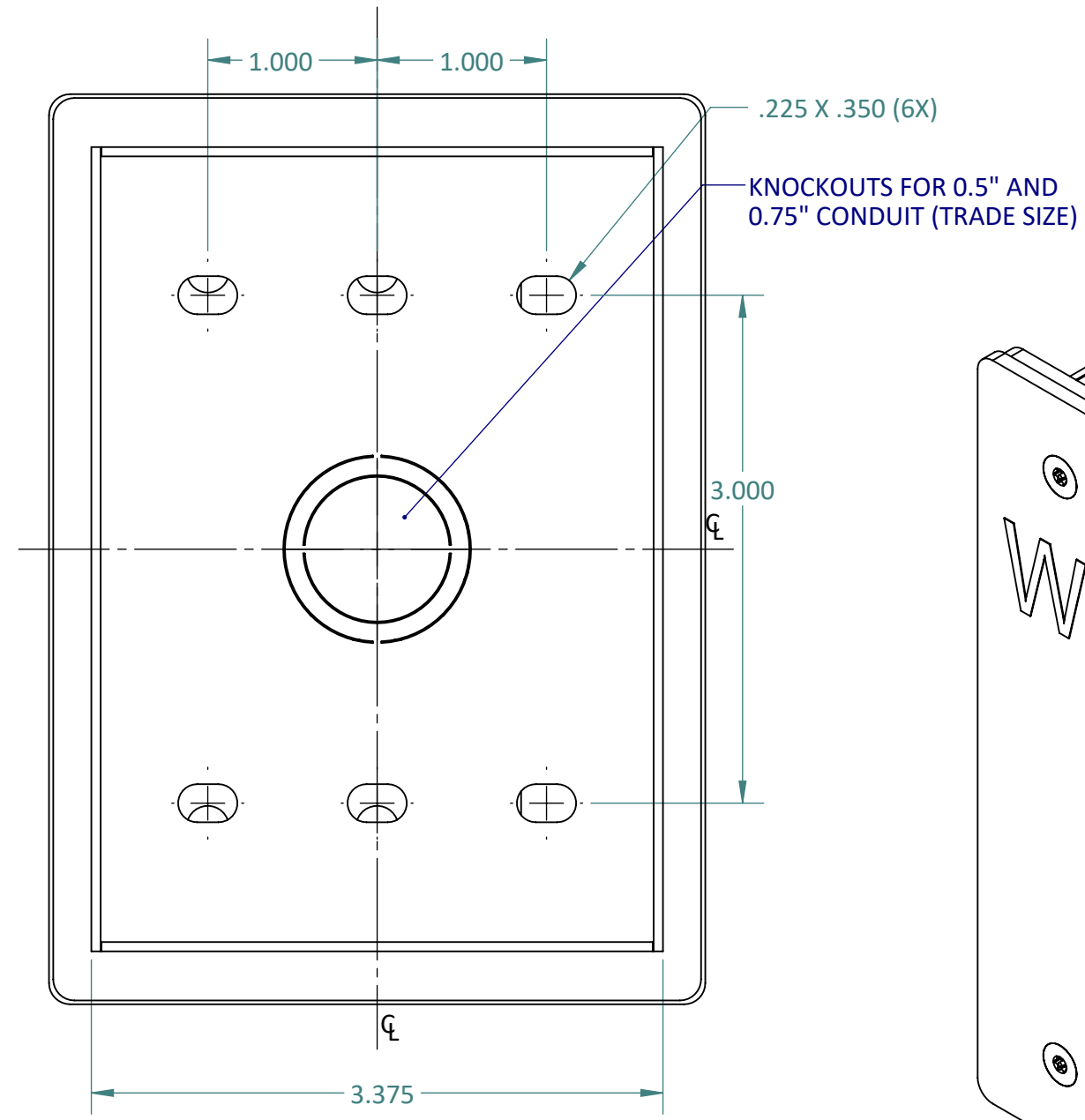
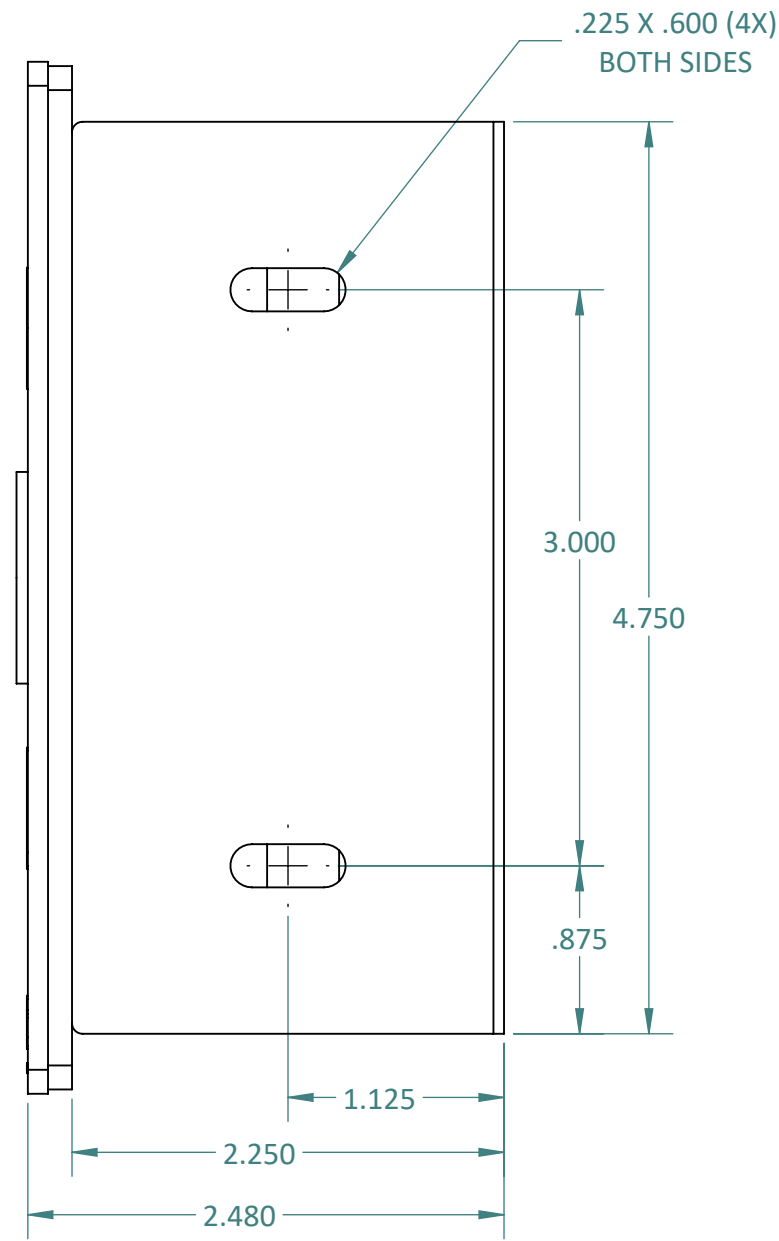
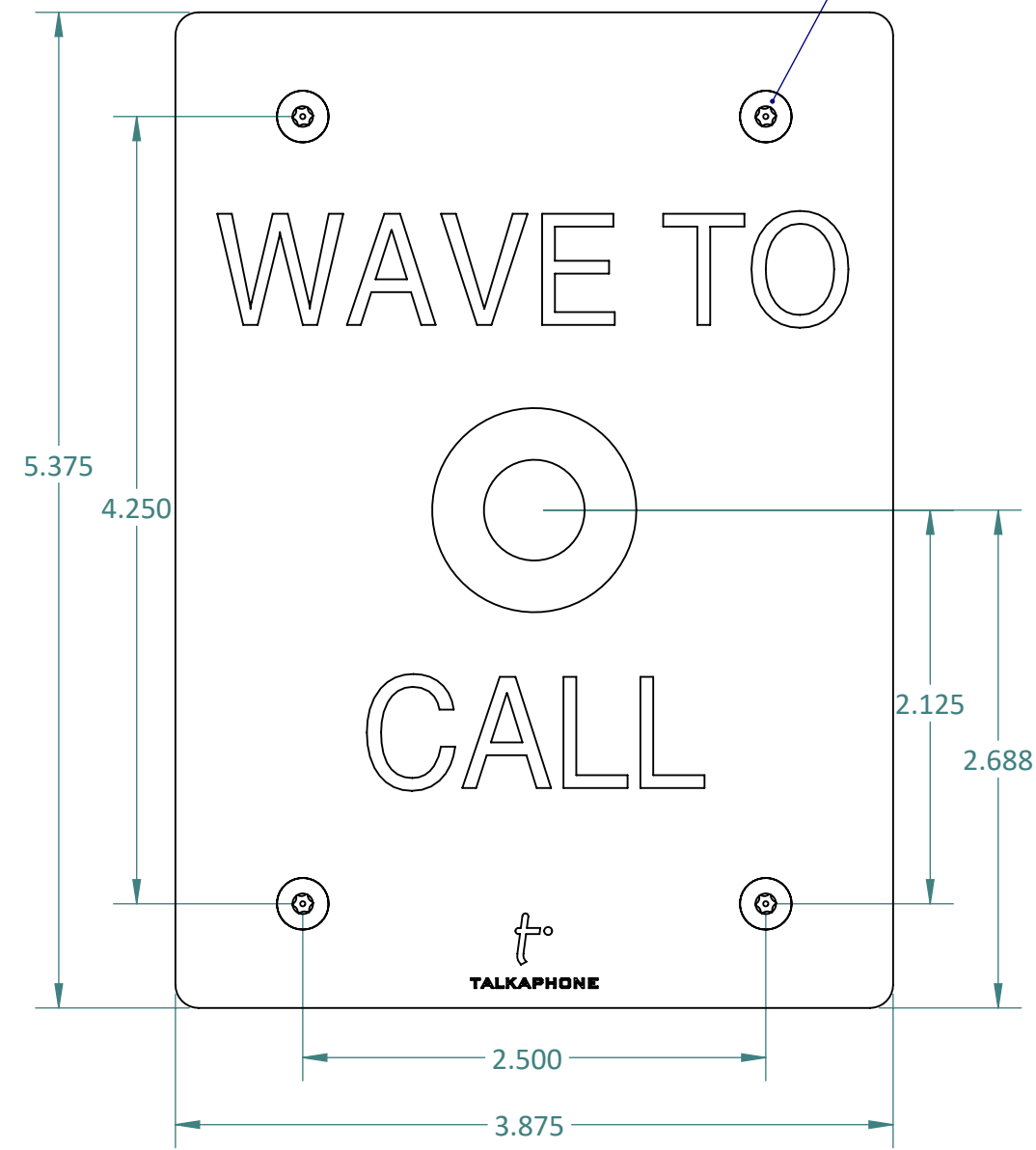


GENERAL NOTES:




#6-32, FLAT TAMPER RESISTANT TORX SCREWS, T10 (4X)



#6-32, FLAT TAMPER RESISTANT TORX SCREWS, T10 (4X)

.225 X .600 (2X)

FINISH
 PROPRIETARY AND CONFIDENTIAL
 THE INFORMATION CONTAINED IN THIS DRAWING IS THE SOLE PROPERTY OF TALK-A-PHONE, LLC. ANY REPRODUCTION IN PART OR AS A WHOLE WITHOUT THE WRITTEN PERMISSION OF TALK-A-PHONE, LLC IS PROHIBITED.

1.0	PRELIMINARY RELEASE	12/14/2020	K PATEL
REV.	DESCRIPTION	DATE	APPROVED
REVISIONS			
	NAME	DATE	
DRAWN	K PATEL	12/14/2020	
CHECKED			
ENG APPR.			
MFG APPR.			
Q.A.			
COMMENTS:			
 TALK-A-PHONE, LLC 7530 N. NATCHEZ AVE., NILES, IL 60714 WWW.TALKAPHONE.COM		DWG. NO.	
SIZE	PART NO.	REV	
C	WAV-1-FM	1.0	
DWG. TITLE:		WAVESENSE SWITCH FLUSH MOUNT ASSY	
SCALE: 1:1	WEIGHT:	SHEET 1 OF 1	