



TALKAPHONE

AREA OF RESCUE IP-BASED SYSTEM AOR-IP SERIES



AREA OF RESCUE ASSISTANCE

THE AOR-IP SERIES IS AN IP-BASED SYSTEM ACCOMMODATING UP TO 160 ADA-COMPLIANT AREA OF RESCUE IP CALL STATIONS.

THE SYSTEM OFFERS CAPABILITY FOR MULTIPLE IP COMMAND UNITS, ON-AND OFF-PREMISE COMMUNICATION, AND IP NETWORK SUPERVISION.

FEATURES

- Area of Rescue IP Command Units are fully compliant with IBC (2015) §1009, ADAAG §7, ICC A117.1 Ch. 7, and NFPA 72 (2016) §24.10
- An ideal solution for new construction, rehabilitation, redevelopment, or modernization (i.e., infrastructure upgrade) projects
- Supports up to 160 ADA compliant Area of Rescue IP Call Stations
- Supports multiple on-premise answering points (i.e. command units)
- Supports off-site communication to a central monitoring station, a communications center, or 911 (requires analog trunk line or SIP trunk)
- Supports up to two (2) analog trunk (PSTN) lines or up to fifty (50) SIP trunk accounts (requires SIP service and Internet connectivity provided by others) for off-site communication
- Connect IP Call Stations, IP Command Units, and IP Supervisor to a Local Area Network (LAN)
- Available IP Supervisor automatically and continuously monitors for network pathway integrity between the IP Call Stations and IP Command Unit(s). If the network is down or if a network pathway is compromised, a contact closure is provided.
- IP Command Unit provides both an LCD and keys with LEDs to indicate IP Call Station line status (i.e. idle, ringing, or busy)
- Available Uninterruptible Power Supply (UPS) provides power backup in the event of a power source failure
- IP Command Unit can be either surface or flush mounted with optional trim ring

Specifications

AOR-IP Series Area of Rescue Systems	
Construction:	18 gauge painted steel enclosure, acrylic window
Mounting:	IP Command Unit surface mounts or flush mounts with optional trim ring
Communication:	IP Command Unit provides both an LCD and keys with LEDs to indicate IP Call Station line status (i.e. idle, ringing, or busy)—receives and selectively originates calls
Power Source:	IP Command Unit, IP Supervisor, and UPS Supervisor receive power from UPS (120VAC). IP Call Stations receive power over Ethernet (PoE).
Wiring:	Minimum Cat5e or Cat6. If required, fire resistive Ethernet cable is supported.
Environment:	IP Command Unit, AOR-IP Call Stations, IP Supervisor, UPS, and UPS Supervisor are for indoor use. Outdoor-rated Area of Rescue IP Call Stations are available (VOIP-200 / VOIP-500 / VOIP-600 Series).
Call Station Options:	AOR-IP-CSE-FM AOR-IP-CSE-SM

AOR-IP-160-CU



ORDERING INFORMATION

Command Units

AOR-IP-40-CU	Supports up to 40 IP call stations
AOR-IP-80-CU	Supports up to 80 IP call stations
AOR-IP-120-CU	Supports up to 120 IP call stations
AOR-IP-160-CU	Supports up to 160 IP call stations

Uninterruptible Power Supplies (UPSes)

AOR-IP-UPS-CU-4H	Uninterruptible power supply (UPS) for Area of Rescue IP Command Unit and IP Supervisor, 4-hour backup
AOR-IP-UPS-CU-24H	Uninterruptible power supply (UPS) for Area of Rescue IP Command Unit and IP Supervisor, 24-hour backup

Flush Mount Trim Rings

AOR-IP-TR80	Trim ring to flush mount AOR-IP-40-CU or AOR-IP-80-CU
AOR-IP-TR160	Trim ring to flush mount AOR-IP-120-CU or AOR-IP-160-CU

Supervision

AOR-IP-SUP	IP supervisor for AOR-IP Series
AOR-IP-UPS-SUP	Supervisor for AOR-IP Series uninterruptible power supply (UPS)

Signage

ETP-SIGN	ETP-SIGN-L	ETP-SIGN-LD

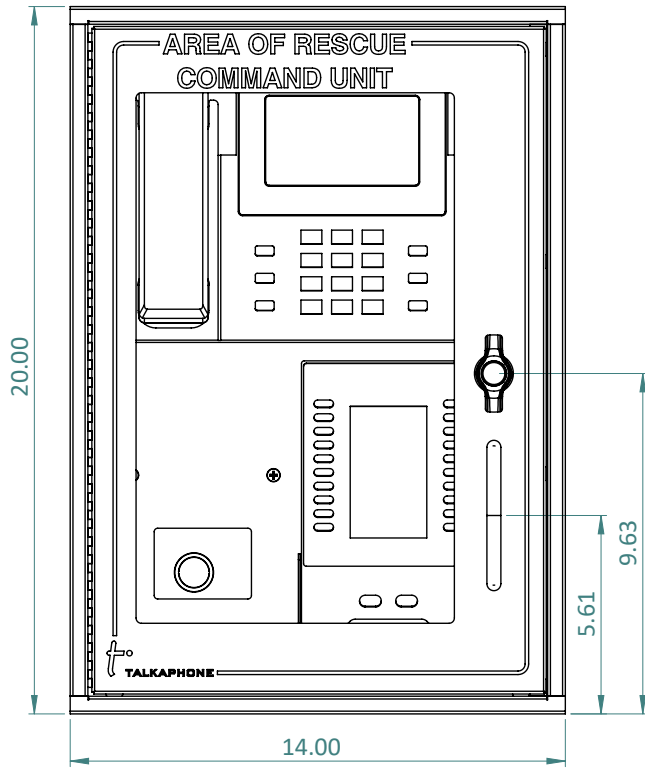
AOR-IP Call Stations

AOR-IP-CSE-FM	AOR-IP-CSE-SM

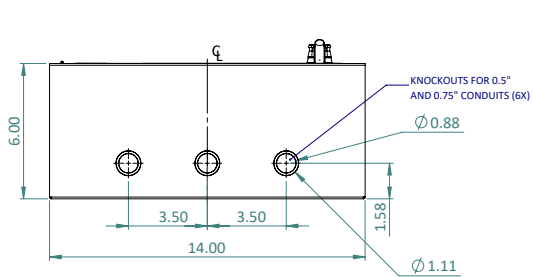
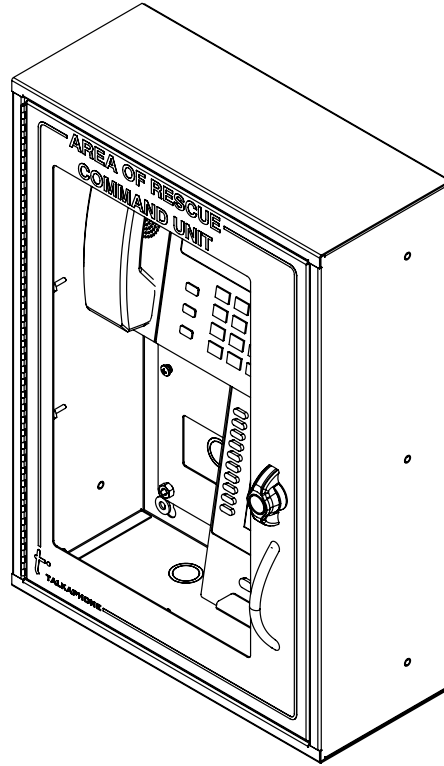
DIMENSIONAL DIAGRAMS

All dimensions are in inches and are provided for reference only.

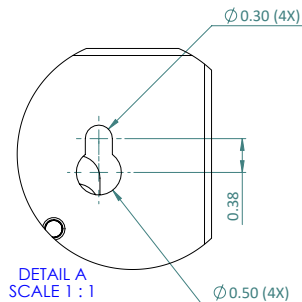
AOR-IP-40-CU



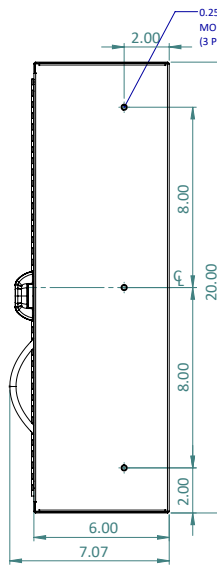
FRONT VIEW



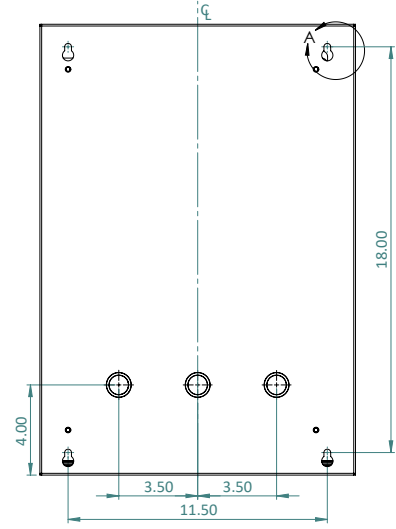
BOTTOM VIEW



DETAIL A
SCALE 1 : 1



SIDE VIEW

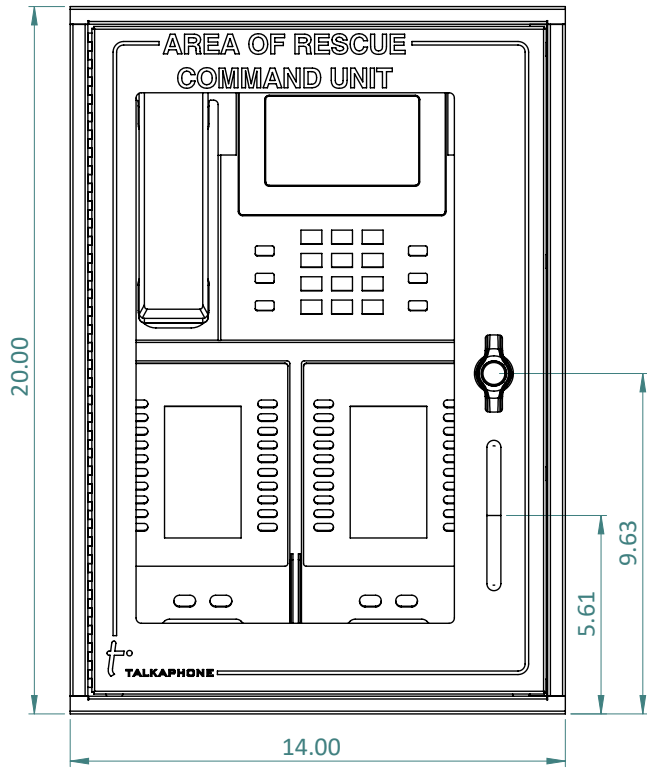


REAR VIEW

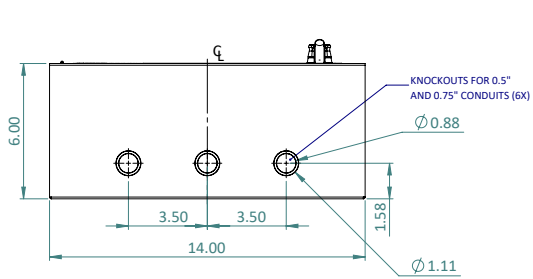
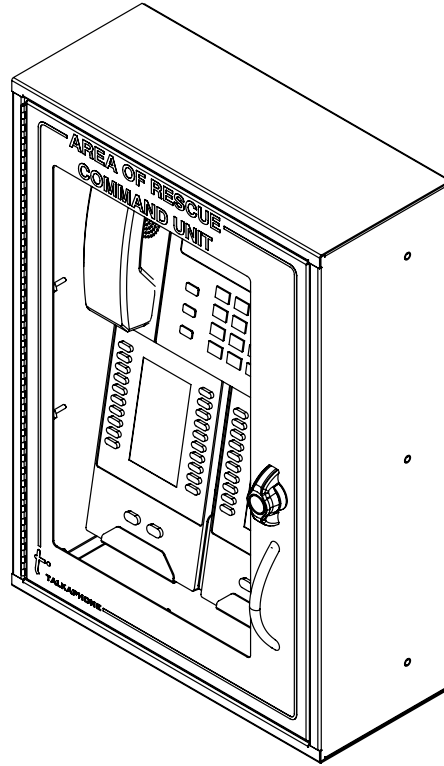
DIMENSIONAL DIAGRAMS

All dimensions are in inches and are provided for reference only.

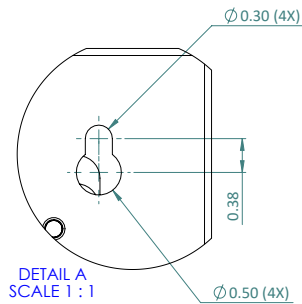
AOR-IP-80-CU



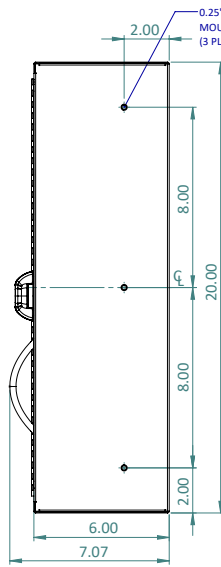
FRONT VIEW



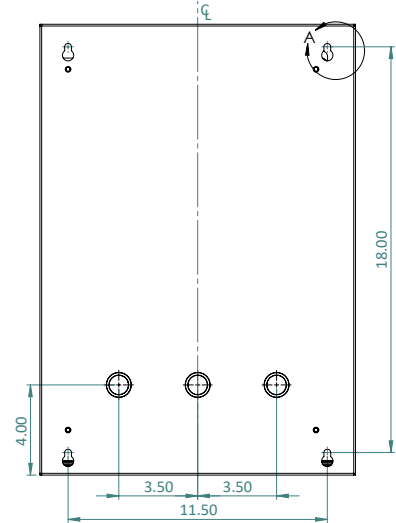
BOTTOM VIEW



**DETAIL A
SCALE 1 : 1**



SIDE VIEW

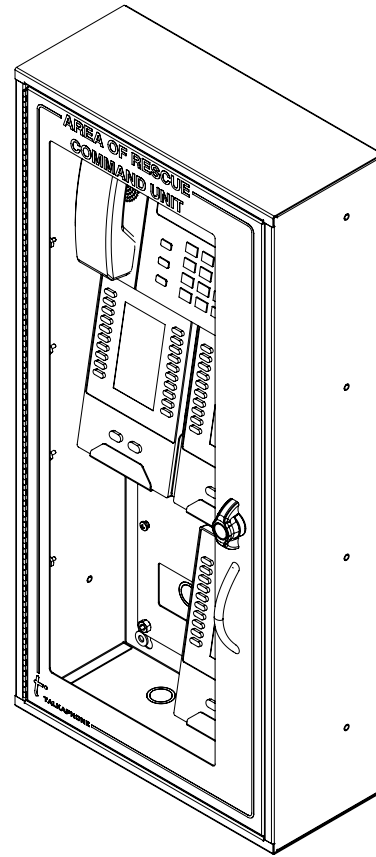
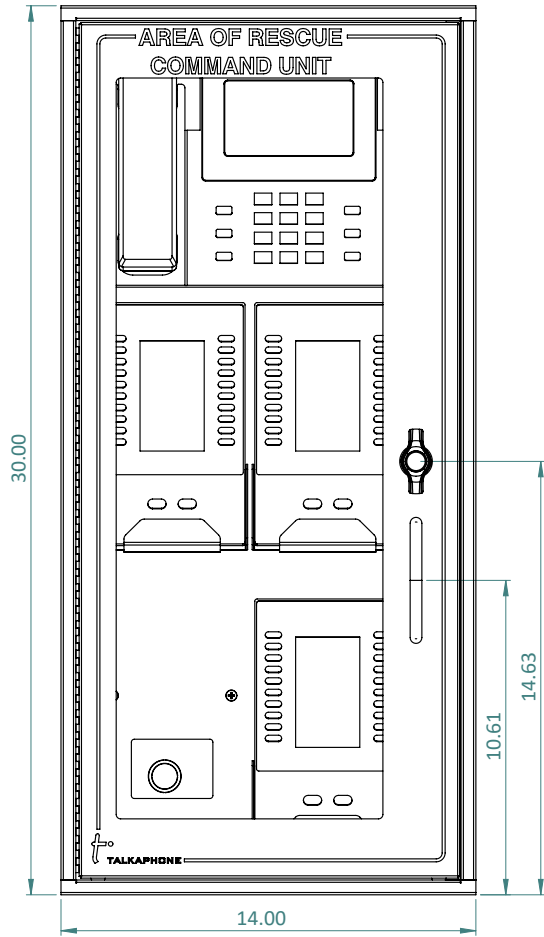


REAR VIEW

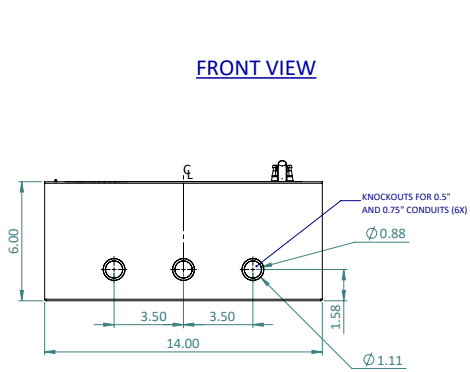
DIMENSIONAL DIAGRAMS

All dimensions are in inches and are provided for reference only.

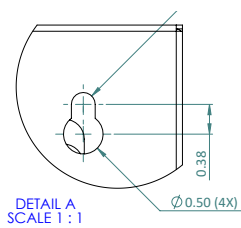
AOR-IP-120-CU



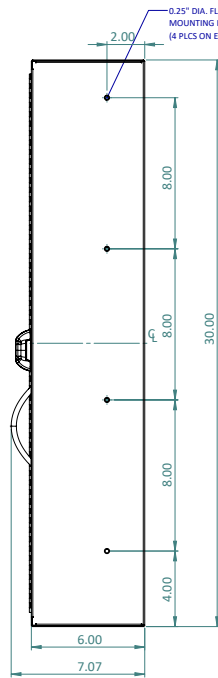
FRONT VIEW



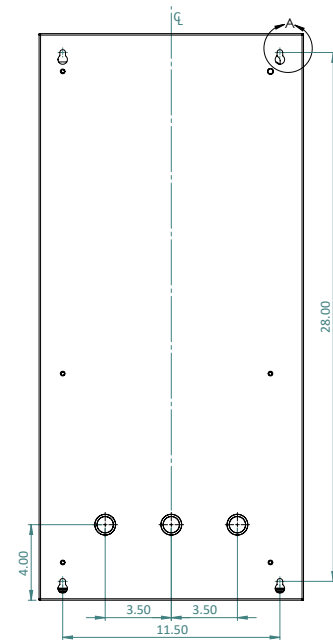
BOTTOM VIEW



DETAIL A
SCALE 1 : 1



SIDE VIEW

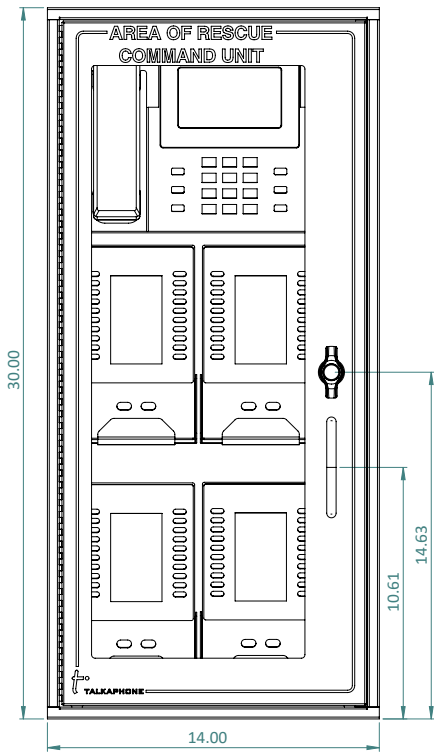


REAR VIEW

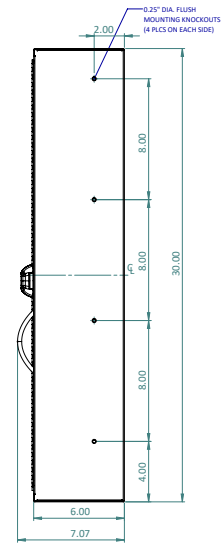
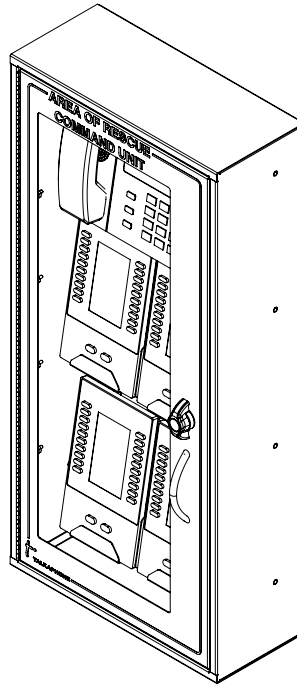
DIMENSIONAL DIAGRAMS

All dimensions are in inches and are provided for reference only.

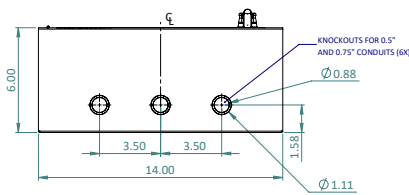
AOR-IP-160-CU



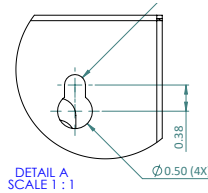
FRONT VIEW



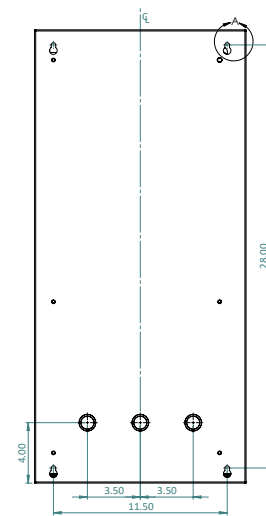
SIDE VIEW



BOTTOM VIEW



DETAIL A
SCALE 1 : 1



REAR VIEW



THE LEADERS IN SECURITY AND LIFE SAFETY COMMUNICATIONS

Tel: 773-539-1100
Email: info@talkaphone.com
Web: www.talkaphone.com

7530 North Natchez Avenue
Niles, Illinois 60714

Terms of Use and Limited Warranty

This Product includes intellectual property and proprietary rights owned by Talk-A-Phone, LLC and/or its licensors. Your use of this Product confirms your agreement that Talk-A-Phone, LLC and/or its licensors retain all right, title and interest in and to all such property; that your rights are to access and use the Product for your internal business use only; that all Product elements will be maintained as confidential; and that the Product may not be rented, leased or lent to third parties, reverse engineered, decompiled or disassembled, or otherwise used for any purpose other than as an access device for your premises.

Talk-A-Phone, LLC warrants Talk-A-Phone Emergency Phone, Call Station, and Wide-Area Emergency Broadcast System equipment against any defects in material and workmanship, under normal use, for a period of twenty-four (24) months from date of installation, provided that Talk-A-Phone receives a completed "Installation Certification" certifying the date on which the system has been installed. An "Installation Certification" card is enclosed with every unit. In the event that no "Installation Certification" is received by Talk-A-Phone, the twenty-four (24) months will commence on the date of shipment by Talk-A-Phone. Warranty period for the metal elements of models in the GP Series Pedestals, MT Series Towers, MTE Series Towers, MT/R Series Towers, PM Series Pedestals, SM Series Surface Mounts, Via Series Mounts, and WM Series Wall Mounts is five (5) years, under the same terms and conditions. Warranty period for Area of Rescue Products is sixty (60) months, under the same terms and conditions. Warranty period for Intercommunication Products is twelve (12) months, under the same terms and conditions. If the Product is found by Talk-A-Phone to be defective within the warranty period, Talk-A-Phone's only obligation, and your exclusive remedy, is for the repair or replacement of any defective parts, provided that the Product is returned to us at 7530 N. Natchez Ave., Niles, IL 60714. Talk-A-Phone shall have no obligation to furnish or pay for the labor of any third parties or bear the expense of shipping defective Products for repair. In no event shall Talk-A-Phone or its licensors or suppliers be liable for any form of exemplary or punitive damages, or any special, indirect or consequential damages. TALK-A-PHONE EXPRESSLY DISCLAIMS ALL OTHER WARRANTIES, WHETHER EXPRESS, IMPLIED OR STATUTORY, INCLUDING BUT NOT LIMITED TO THE IMPLIED WARRANTIES OF MERCHANTABILITY OR FITNESS FOR A PARTICULAR PURPOSE. In no event shall Talk-A-Phone or its licensors or suppliers be liable for any form of exemplary or punitive damages, or any special, indirect or consequential damages. Your use of this Product constitutes your agreement to all of the foregoing terms.

THIS WARRANTY GIVES YOU SPECIFIC LEGAL RIGHTS AND YOU MAY ALSO HAVE OTHER RIGHTS WHICH VARY FROM STATE TO STATE. Further information is available at talkaphone.com/legal
Copyright 2020-2022 Talk-A-Phone, LLC. All rights reserved.

Rev. 08/17/2022