

ETP-SIGN/L
Single-Sided, LED Lighted
“AREA OF RESCUE ASSISTANCE” Sign

Description

ETP-SIGN/L Single-Sided, LED Lighted “AREA OF RESCUE ASSISTANCE” Sign designates a location as an Area of Rescue Assistance and aids in locating a two-way emergency communication station. The sign features high-intensity red LEDs providing bright and uniform illumination.



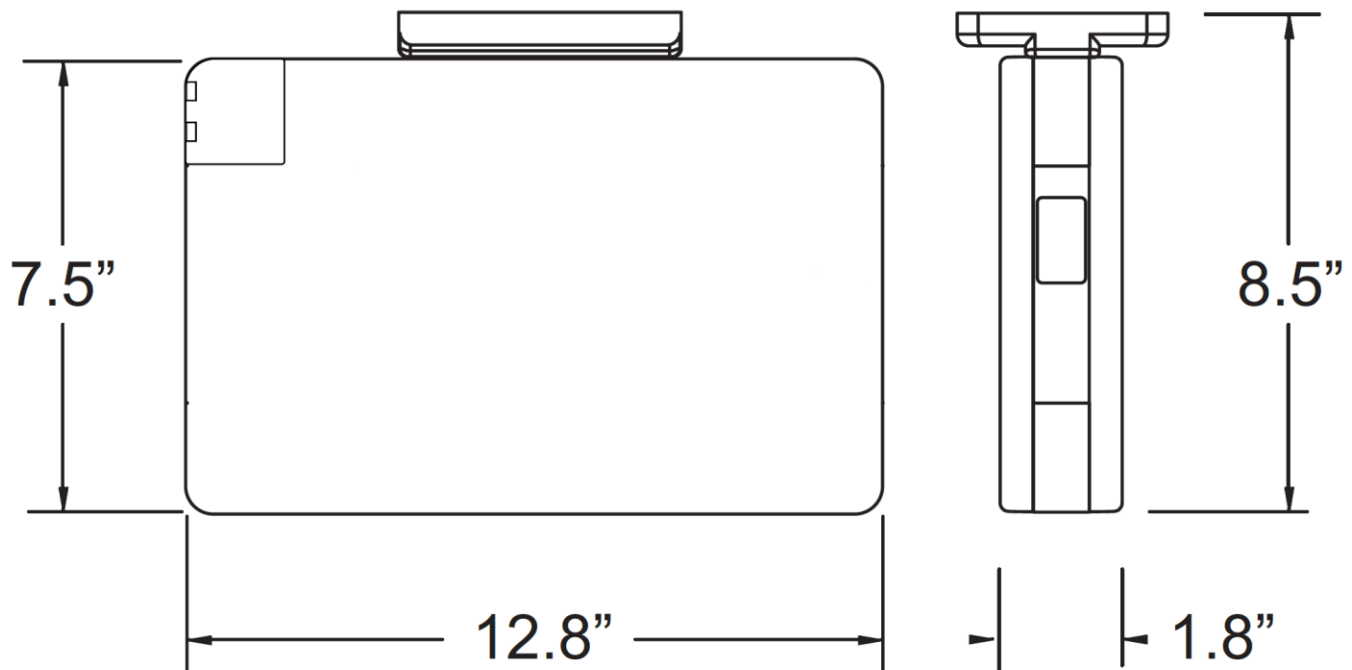
Features

- Lighted sign is attractive and attention-getting
- Constructed of rugged, injection-molded UL 94 5VA flame-retardant thermoplastic
- Aids with ADA compliance
- Lit by long-life, high-intensity, red LEDs
- LEDs provide up to 100,000 hours of use without failure

Specifications

Dimensions:	12.8 x 8.5 x 1.8 in. (325 x 216 x 46 mm)
Weight:	6.2 lbs. (2.8 kg)
Construction:	Rugged, injection-molded UL 94 5VA flame-retardant, high-temperature thermoplastic housing
Power:	120/277VAC, 60 Hz
Mounting:	Ceiling, end, or wall mounted (mounting canopy included)
Warranty:	5-year limited warranty

Dimensional Drawing



All dimensions are in inches and are provided for reference only.