

MS-600
Flush Mounting Sleeve

Description

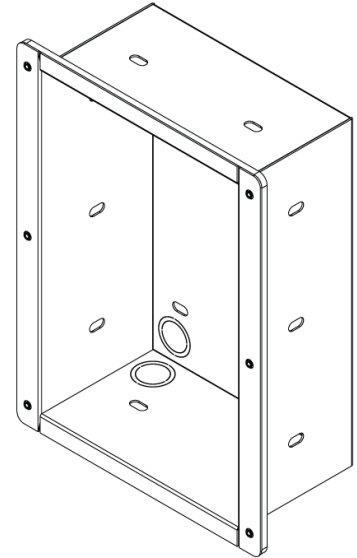
Talkaphone's **MS-600** is a mounting sleeve for flush mounting ETP-500, VOIP-500, and VOIP-600 Series Call Stations.

Features

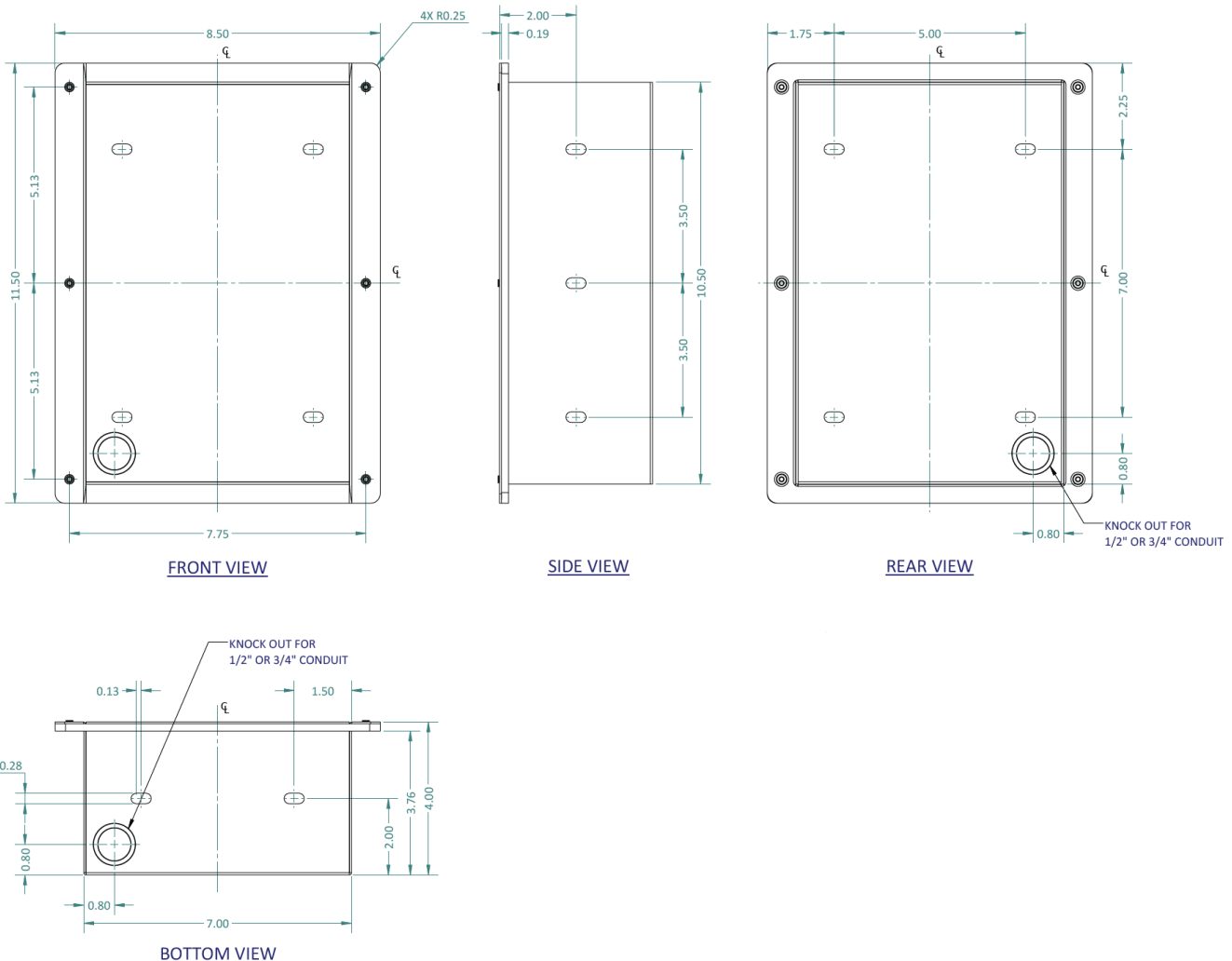
- Allows for easy mounting of ETP-500, VOIP-500, and VOIP-600 Series Call Stations.
- Conduit entry from bottom or rear

Specifications

Dimensions (W x D x H): 8.5 x 11.5 x 4.0 in. (216 x 292 x 102 mm)
 Weight: 3.7 lbs. (1.7 kg)
 Construction: Cold rolled steel
 Conduit Entry: Knock out on bottom and rear for 0.75" conduit
 Mounting: Flush mounts into a wall or surface
 Warranty: 2-year limited warranty



Dimensional Diagram



All dimensions are in inches and are provided for reference only.