

## I. Introduction

This Installation Manual provides detailed instructions for a typical installation of the **MS-600**. It is highly recommended that this manual be read in its entirety before starting any installation.

## II. Contents

Please ensure receipt of each of the included **MS-600** components:

QTY	Part Number	Description
1	24541	Flush Mounting Sleeve
1	67595	Gasket for Flush Mounting Sleeve
1	67598	Paper Mounting Template (MS-600)

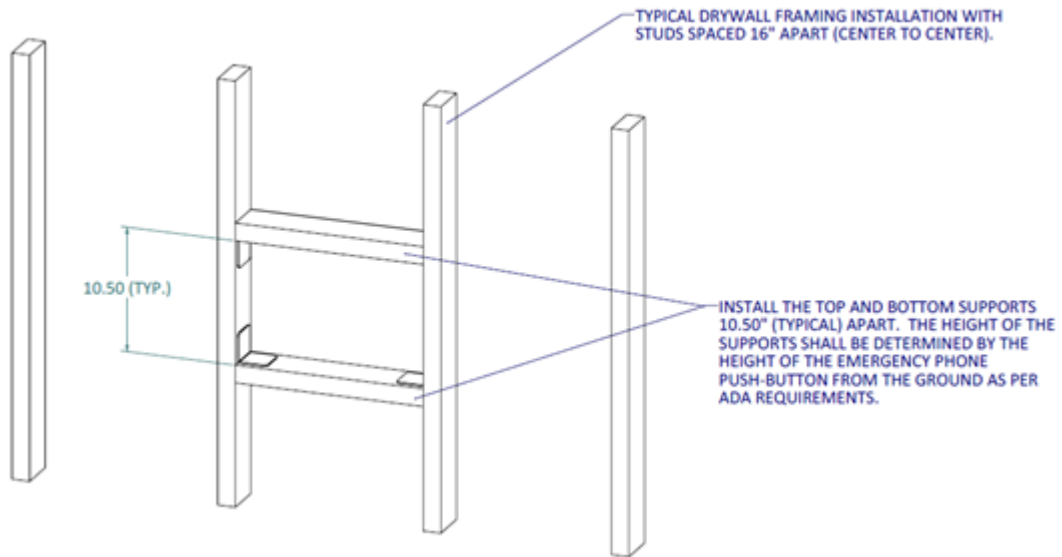
## III. Installation



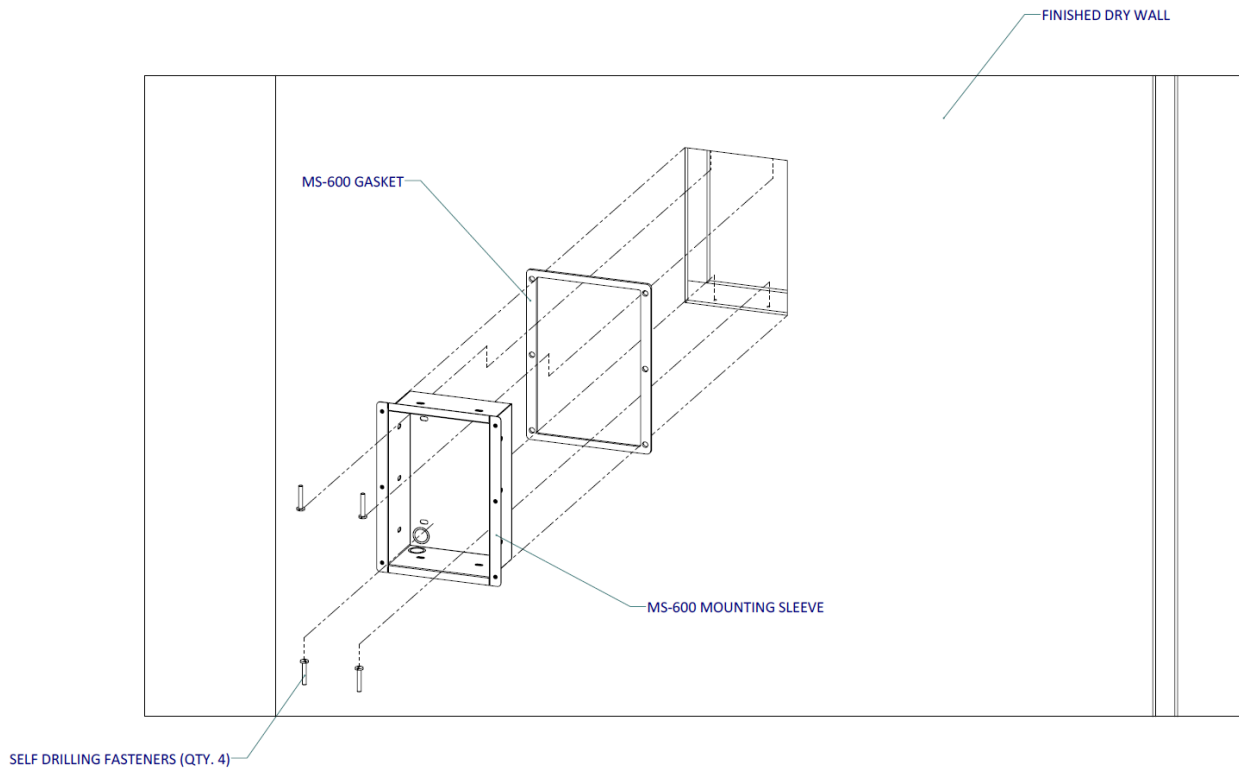
**THIS PRODUCT MUST BE INSTALLED IN ACCORDANCE WITH THE APPLICABLE INSTALLATION CODE (FEDERAL, STATE, AND LOCAL) BY A PERSON FAMILIAR WITH THE CONSTRUCTION AND OPERATION OF THE PRODUCT AND THE HAZARDS INVOLVED**

**PLEASE NOTE THAT THIS INSTALLATION MANUAL IS INTENDED TO BE USED AS GENERAL INSTALLATION GUIDANCE. INSTALLATION REQUIREMENTS IN THE FIELD MAY VARY.**

1. Mount the **MS-600** flush mounting sleeve into a stud wall, cement block, brick wall, or other wall type. MS-600 must be installed so that the Call Station gasket seals properly with the finished wall surface. Note that the Call Station faceplate, gasket, and the lip of the MS-600 unit will sit on top of the finished wall surface. See **Figures (1) and (2)**.
2. Install the top and bottom supports for the **MS-600** flush mounting sleeve; these are set at a distance of 10.50 inches (typical). The distance from the bottom support of the **MS-600** to the ground is dictated by the distance from the Call Station pushbutton to the ground per ADA requirements. See **Figure (1)**.

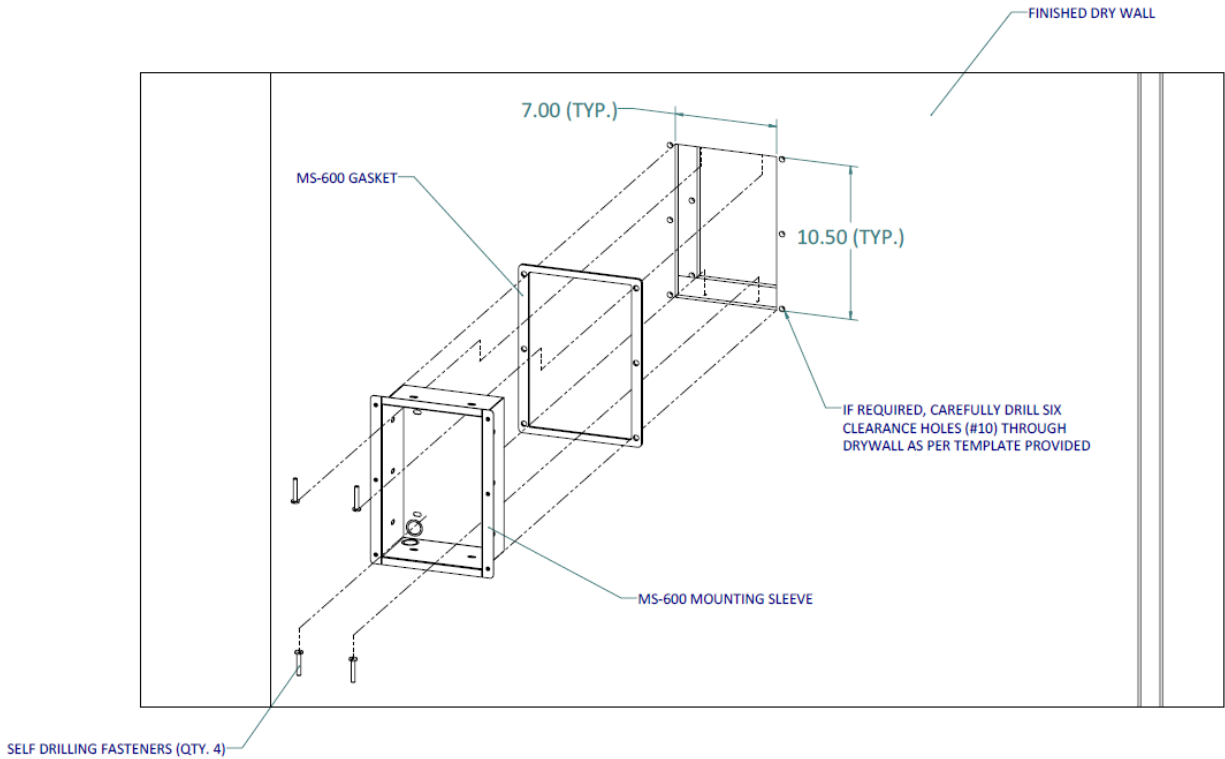


**Figure 1.** Considerations for installation into drywall framing.



**Figure 2.** Overview for installation of the MS-600 flush mounting sleeve and gasket into finished drywall.

- After all supports have been properly installed, use the provided template to create the necessary cutout for the **MS-600** flush mounting sleeve. Along with the main cutout, six (6) clearance holes may need to be drilled around the cutout to provide a proper mating surface between the unit and the mounting wall. See **Figure (3)**.

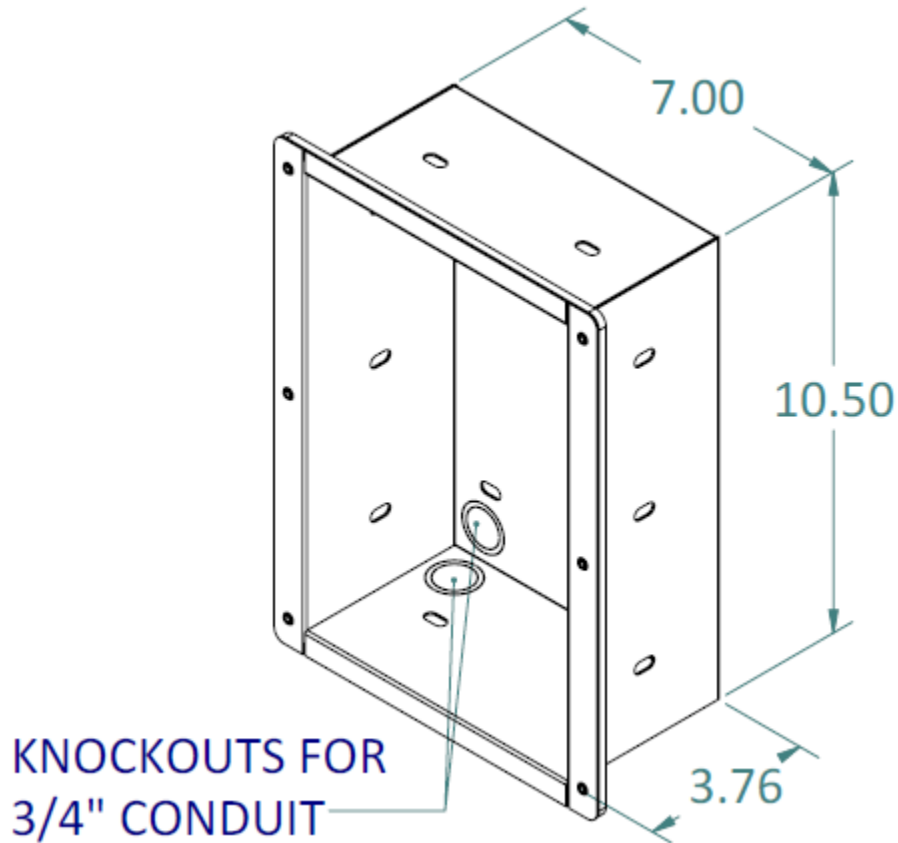


**Figure 3.** Exploded overview of installation.

- Upon completing the cutout, insert the **MS-600** with included gasket and secure the **MS-600** to the support beams with four (4) self-drilling fasteners (fasteners not provided by Talkaphone).

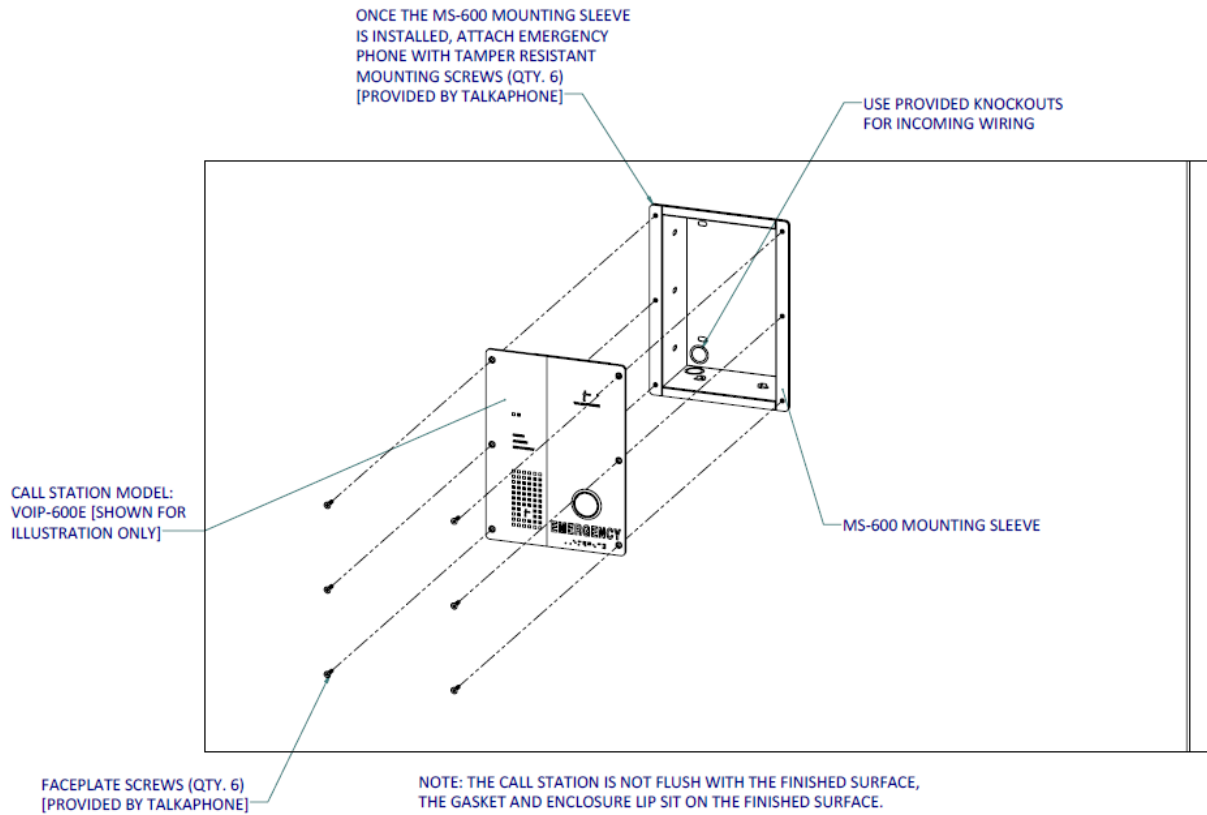
5. The **MS-600** is equipped with two (2) knockouts for 3/4-inch conduits. These may be used to connect conduit to the **MS-600** flush mounting sleeve so that the Call Station can receive power and/or communication. The knockouts are both located on the bottom and at the rear of the **MS-600** flush mounting sleeve as shown in **Figure (4)**.

Select the knockout(s) to be used and strike out the appropriate knockout(s) and install the conduit to the **MS-600**.



**Figure 4.** Location of knockouts.

6. Install the Call Station to the **MS-600** flush mounting sleeve using the six (6) tamper resistant screws that were provided with the Call Station. See **Figure (5)**.



**Figure 5.** Installation of a Call Station into the **MS-600** flush mounting sleeve.