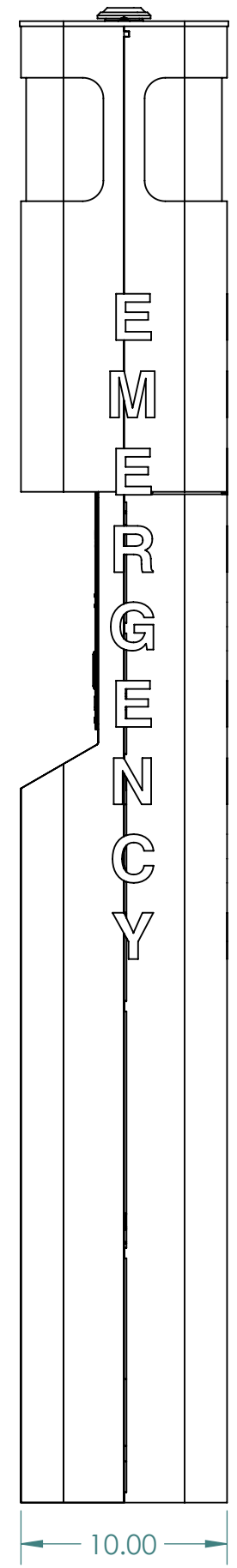
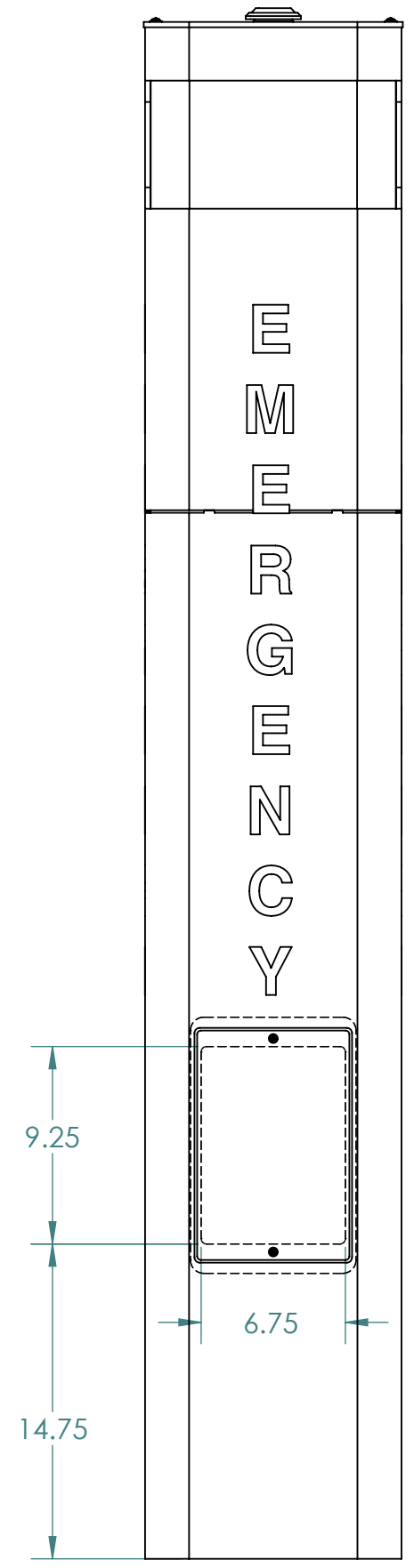


FRONT VIEW

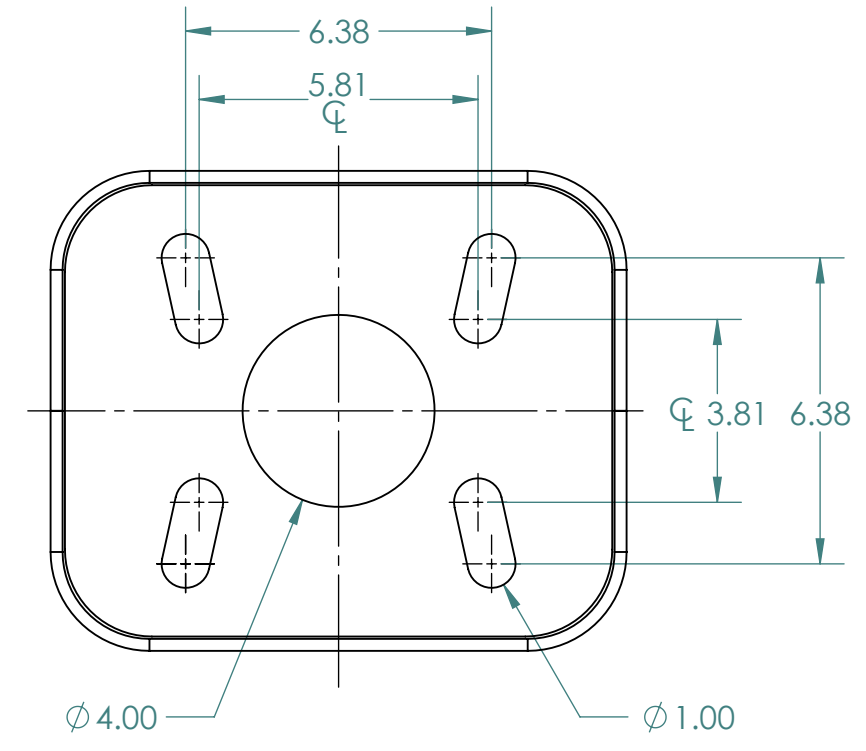
CALL STATION MODEL:
VOIP-500C
[SHOWN FOR
ILLUSTRATIVE PURPOSES]



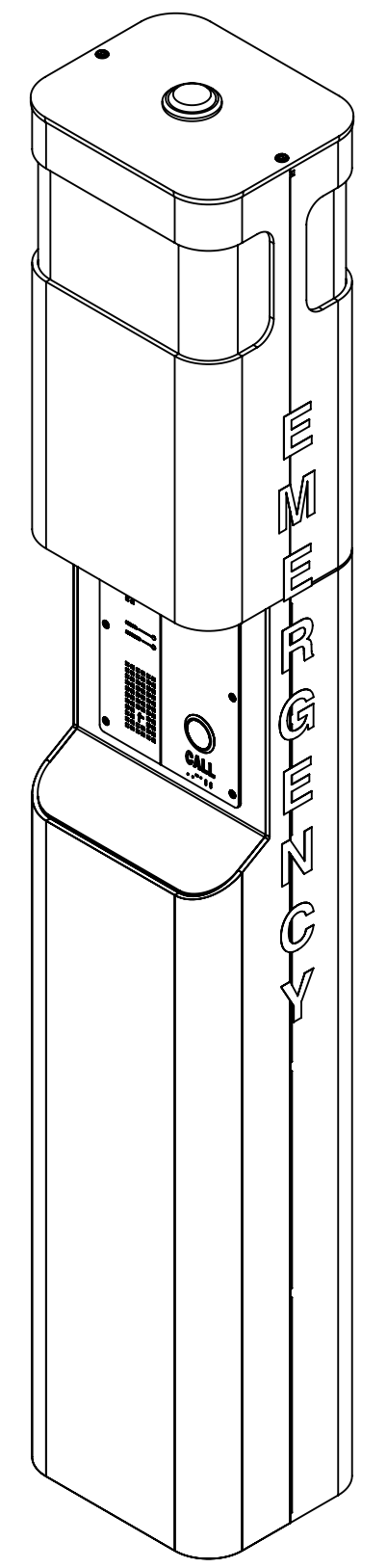
SIDE VIEW



REAR VIEW



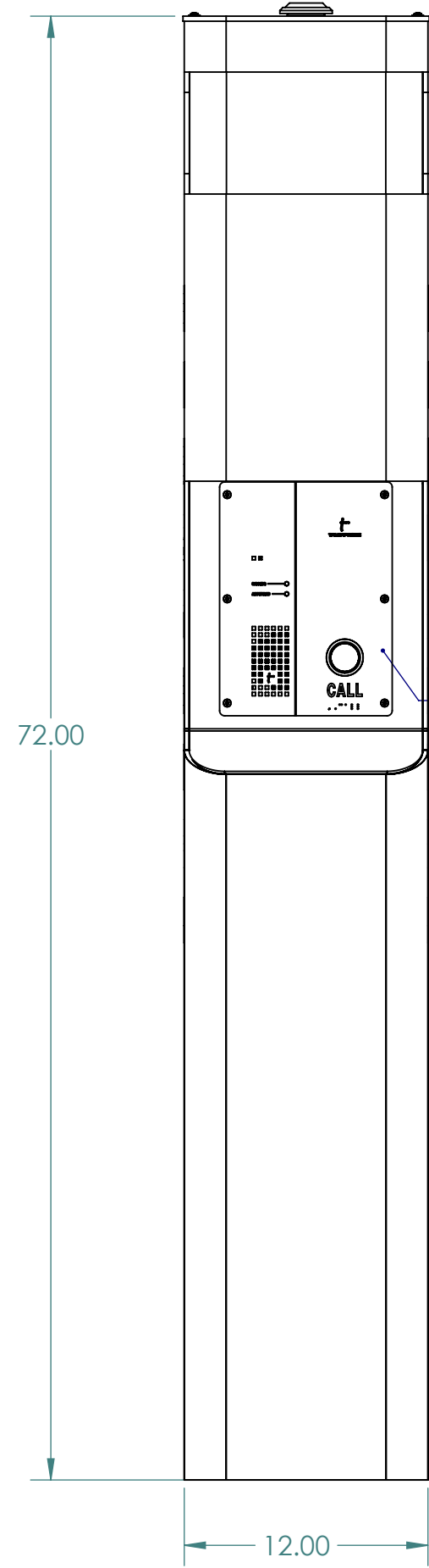
FOOT PRINT



ISOMETRIC VIEW

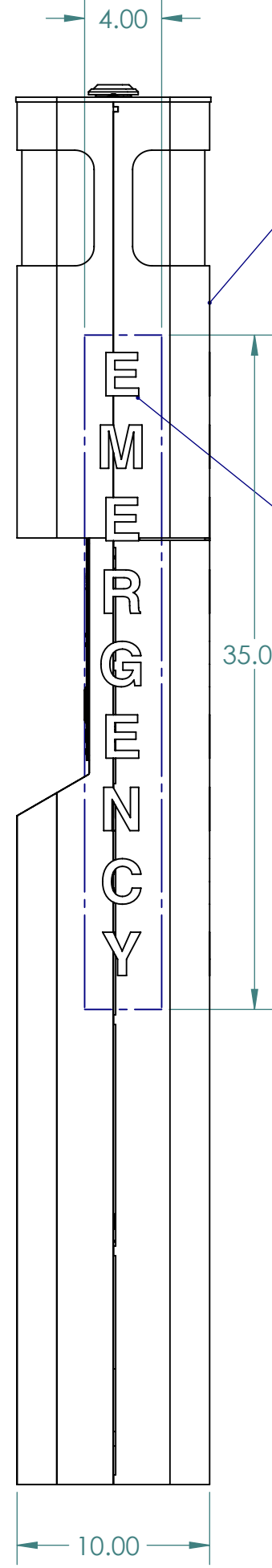
| | | | |
|---|-------------------|---|-------------|
| 1.0 | MARKETING RELEASE | 5/26/2020 | J MAHETALIA |
| REV. | DESCRIPTION | DATE | APPROVED |
| REVISIONS | | | |
| | NAME | DATE | |
| DRAWN | J MAHETALIA | 5/26/2020 | |
| CHECKED | K PATEL | 5/26/2020 | |
| ENG APPR. | | | |
| MFG APPR. | | | |
| Q.A. | | | |
| COMMENTS: | | | |
| TALKAPHONE TALK-A-PHONE, LLC 7530 N. NATCHEZ AVE. NILES, IL 60714 WWW.TALKAPHONE.COM | | DWG. NO. SIZE PART NO. ETP-MT/R-72 REV 1.0 DWG. TITLE: ETP-MT/R SERIES, 72" H SCALE: 1:8 WEIGHT: SHEET 1 OF 2 | |

FINISH
 PROPRIETARY AND CONFIDENTIAL
 THE INFORMATION CONTAINED IN THIS
 DRAWING IS THE SOLE PROPERTY OF
 TALK-A-PHONE, LLC. ANY
 REPRODUCTION IN PART OR AS A WHOLE
 WITHOUT THE WRITTEN PERMISSION OF
 TALK-A-PHONE, LLC IS PROHIBITED.



FRONT VIEW

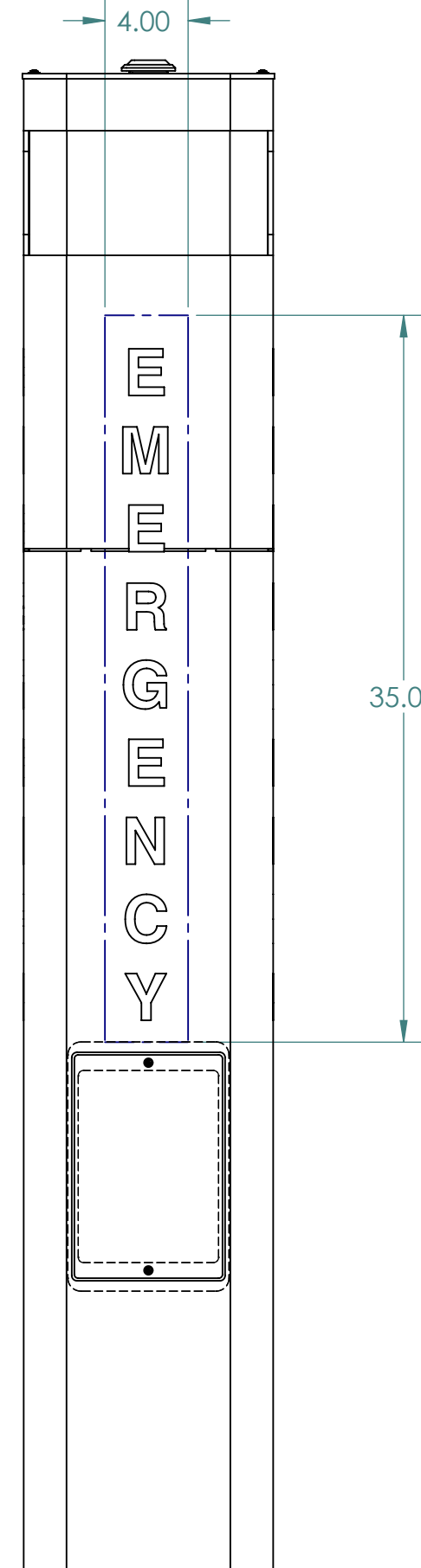
CALL STATION MODEL:
VOIP-500C
[SHOWN FOR
ILLUSTRATIVE PURPOSES]



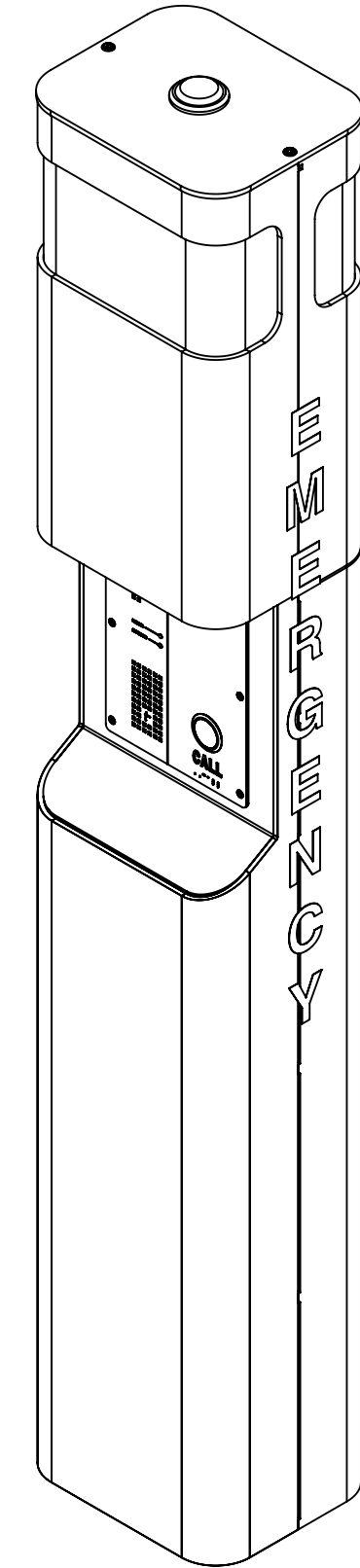
SIDE VIEW

STANDARD FINISH:
PAINTED IN SAFETY BLUE COLOR
OPTIONAL FINISH:
AVAILABLE PAINTED IN CUSTOM COLORS

STANDARD SIGNAGE:
SIGNAGE ON THREE SIDES:
3.5" HIGH REFLECTIVE WHITE "EMERGENCY"
LETTERING WITH WIDE ANGLE
VISIBILITY IS STANDARD
ALSO AVAILABLE WITH
"ASSISTANCE", "INFORMATION",
OR CUSTOM LETTERING AND COLORS.



REAR VIEW



ISOMETRIC VIEW

| | NAME | DATE |
|-----------|-------------|-----------|
| DRAWN | J MAHETALIA | 5/26/2020 |
| CHECKED | K PATEL | 5/26/2020 |
| ENG APPR. | | |
| MFG APPR. | | |
| Q.A. | | |

TALKAPHONE
TALK-A-PHONE, LLC
7530 N. NATCHEZ AVE. NILES, IL 60714
WWW.TALKAPHONE.COM

DWG. NO.

| SIZE | PART NO. | ETP-MT/R-72 | REV |
|------------|-------------|-----------------------|-----|
| C | DWG. TITLE: | ETP-MT/R SERIES, 72"H | 1.0 |
| SCALE: 1:8 | WEIGHT: | SHEET 2 OF 2 | |

PROPRIETARY AND CONFIDENTIAL
THE INFORMATION CONTAINED IN THIS
DRAWING IS THE SOLE PROPERTY OF
TALK-A-PHONE, LLC. ANY
REPRODUCTION IN PART OR AS A WHOLE
WITHOUT THE WRITTEN PERMISSION OF
TALK-A-PHONE, LLC IS PROHIBITED.

COMMENTS: