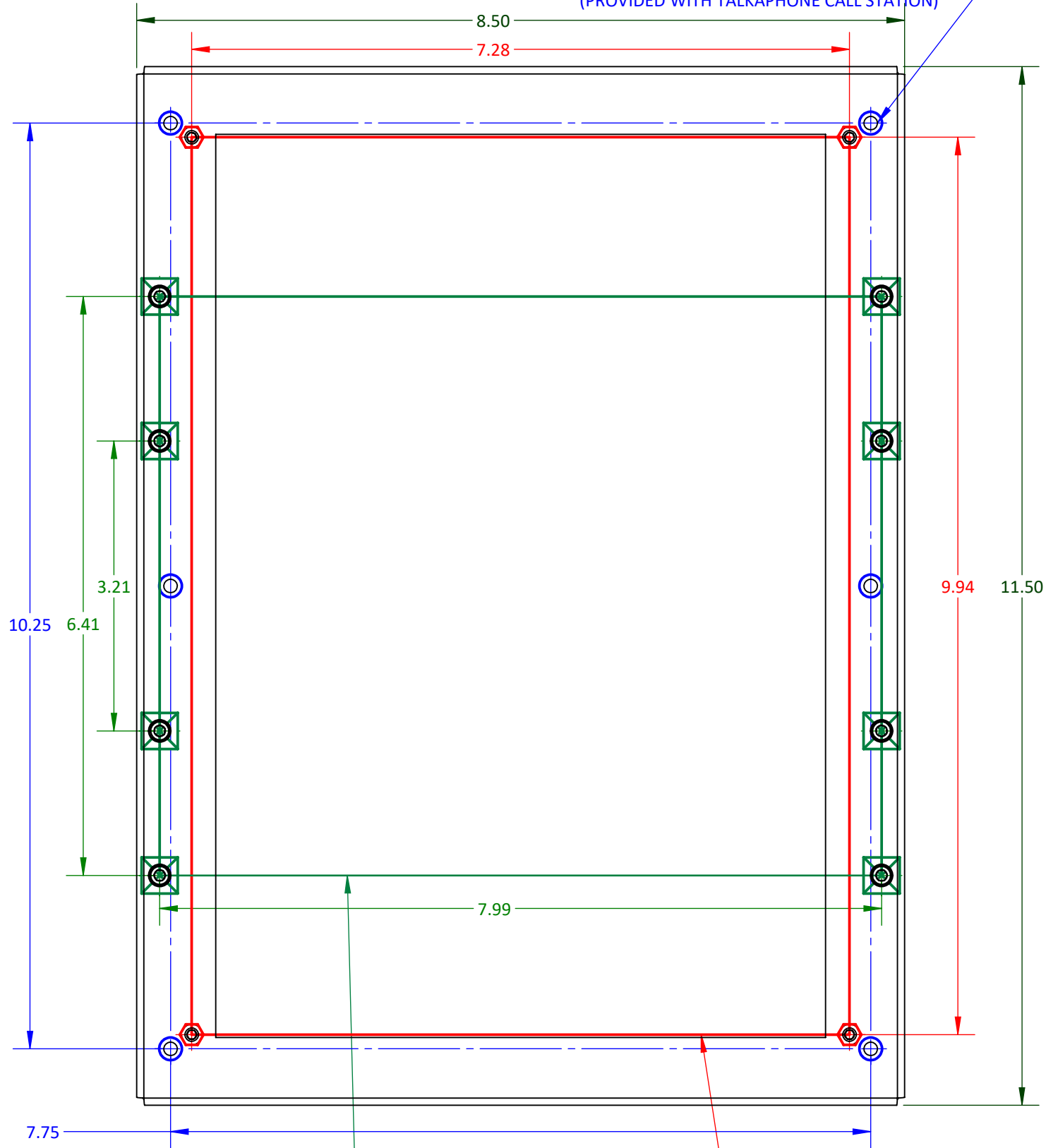


GENERAL NOTES:
GAI-TRONICS BACK BOX NEEDED TO USE THE ADAPTER BRACKET

TALKAPHONE MOUNTING PATTERN
QTY: 6
(PROVIDED WITH TALKAPHONE CALL STATION)

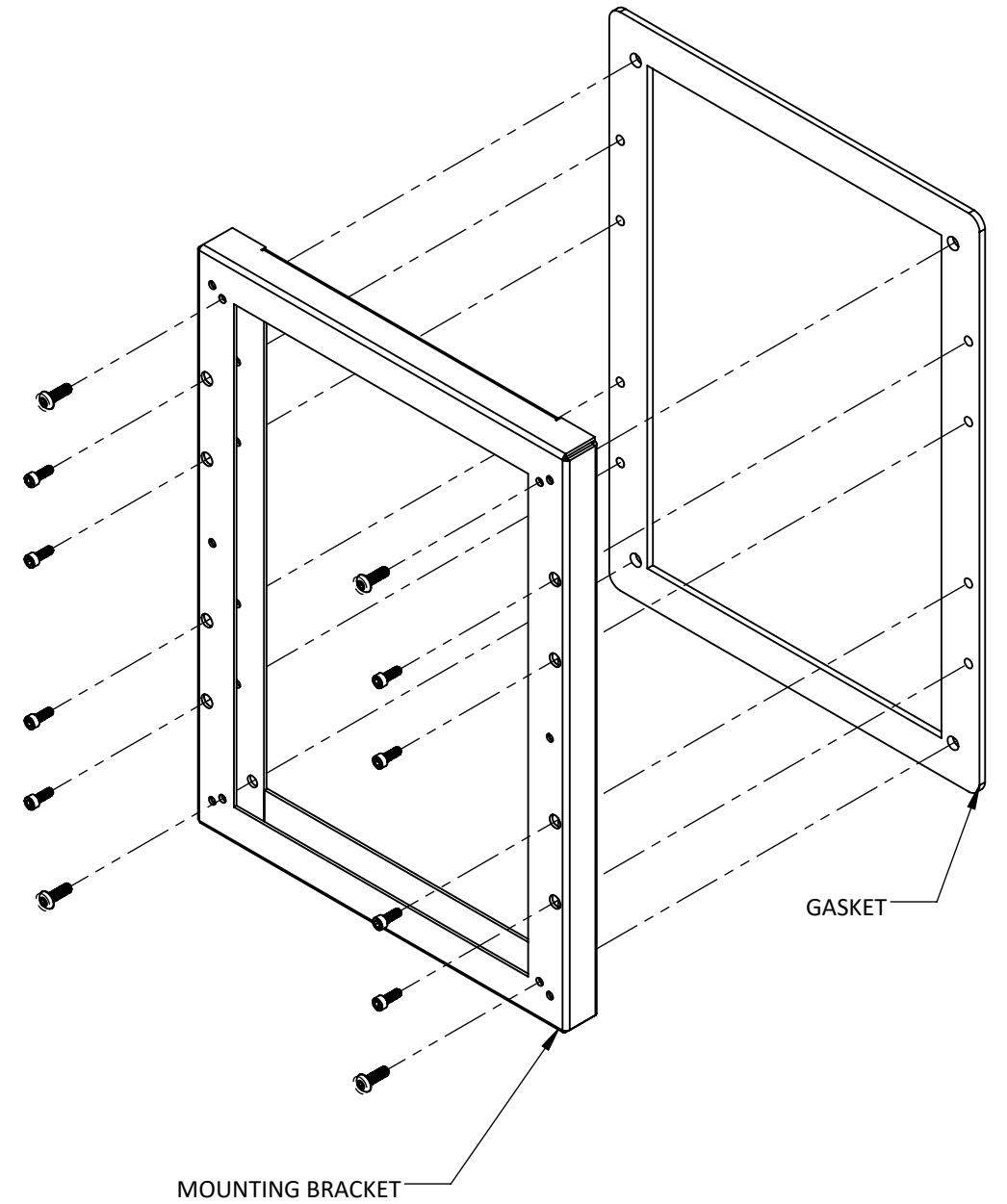
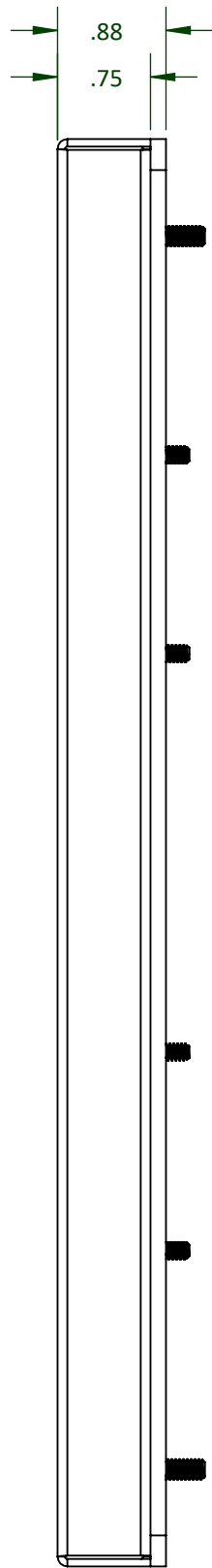
D
C
B
A



GAI-TRONICS BACK BOX MOUNTING PATTERN
SOCKET HEAD 6-32 X 0.375" LONG
TALKAPHONE P/N: 42963
REQUIRED QTY: 8
(PROVIDED BY TALKAPHONE)



RAMTEL MOUNTING PATTERN
SOCKET HEAD, 8-32X 0.375" LONG
TALKAPHONE P/N: 472-00046
REQUIRED QTY: 4
(PROVIDED BY TALKAPHONE)



D
C
B
A

REV.	DATE	DESCRIPTION	APPROVED
1.1	8/20/2021	ADDED NOTE ON GAI-TRONICS BACK BOX	J MAHETALIA
1.1	3/31/2021	CORRECTED PART NUMBERS	K PATEL
1.0	7/11/2016	PRODUCTION RELEASE	M OBAL

REVISION TABLE

UNLESS OTHERWISE SPECIFIED:

DIMENSIONS ARE IN INCHES
TOLERANCES:
DRILL HOLE -0.00 / +0.003
ANGULAR: MACH ± BEND ±1°
TWO PLACE DECIMAL ±0.01
THREE PLACE DECIMAL ±0.005

INTERPRET GEOMETRIC TOLERANCING PER: ASME Y14.5M-1994

MATERIAL

FINISH

MODEL FILE NAME:

ADAPT-56-GA-RM

	NAME	DATE
DRAWN	J MAHETALIA	8/20/2021
CHECKED	K PATEL	8/20/2021
ENG APPR.		
MFG APPR.		
Q.A.		
COMMENTS:		



DWG. TITLE:
GAI-TRONICS/RAMTEL ADAPTOR BRACKET KIT

SIZE	PART NO.	REV
B	ADAPT-56-GA-RM	1.1
	DWG. NO. ADAPT-56-GA-RM	
SCALE: 1:4	WEIGHT:	SHEET 1 OF 1

DO NOT SCALE DRAWING
PROPRIETARY AND CONFIDENTIAL
THE INFORMATION CONTAINED IN THIS DRAWING IS THE SOLE PROPERTY OF TALK-A-PHONE, LLC. ANY REPRODUCTION IN PART OR AS A WHOLE WITHOUT THE WRITTEN PERMISSION OF TALK-A-PHONE, LLC IS PROHIBITED.