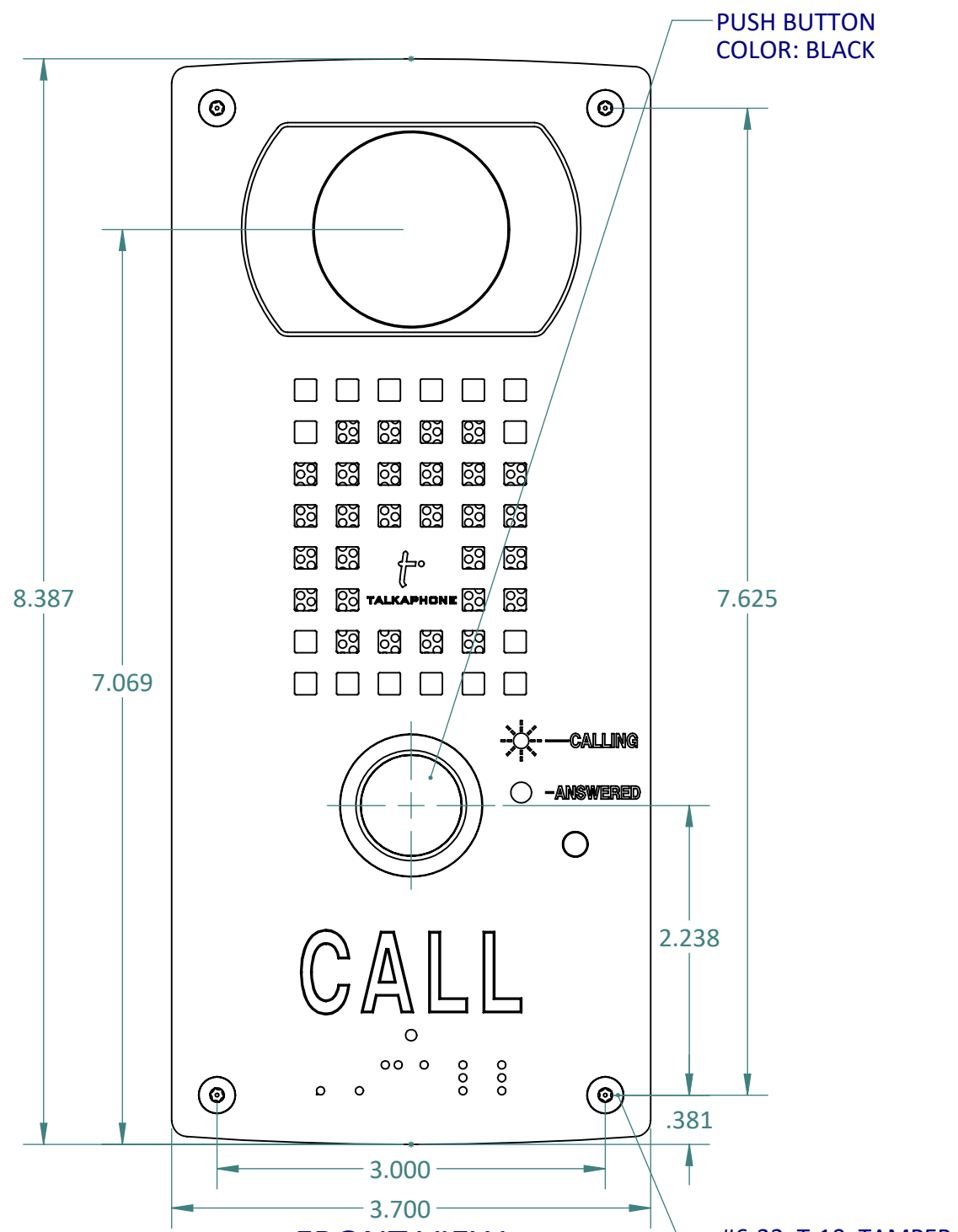


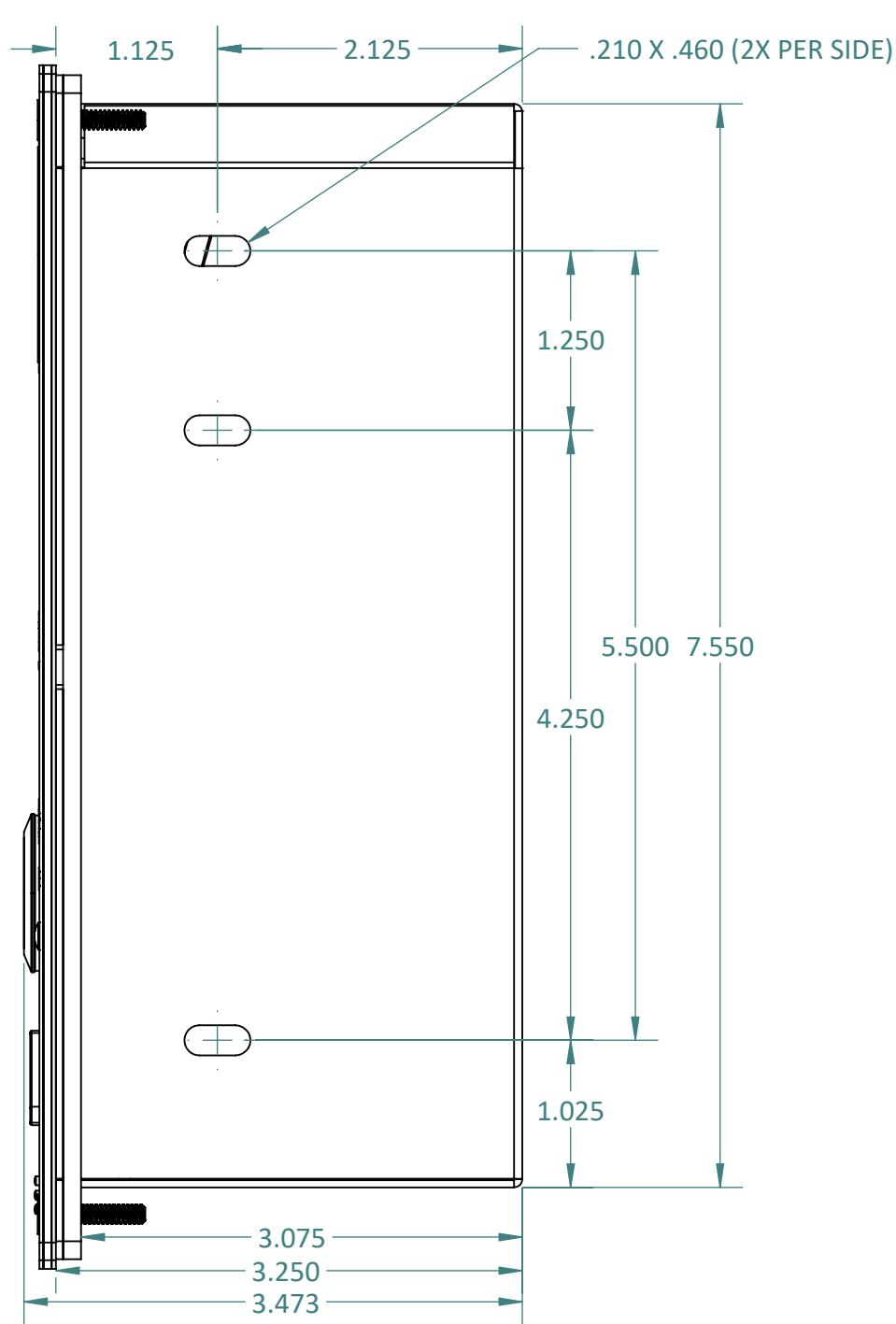
**TOP VIEW**

KNOCKOUT FOR 0.5" CONDUIT

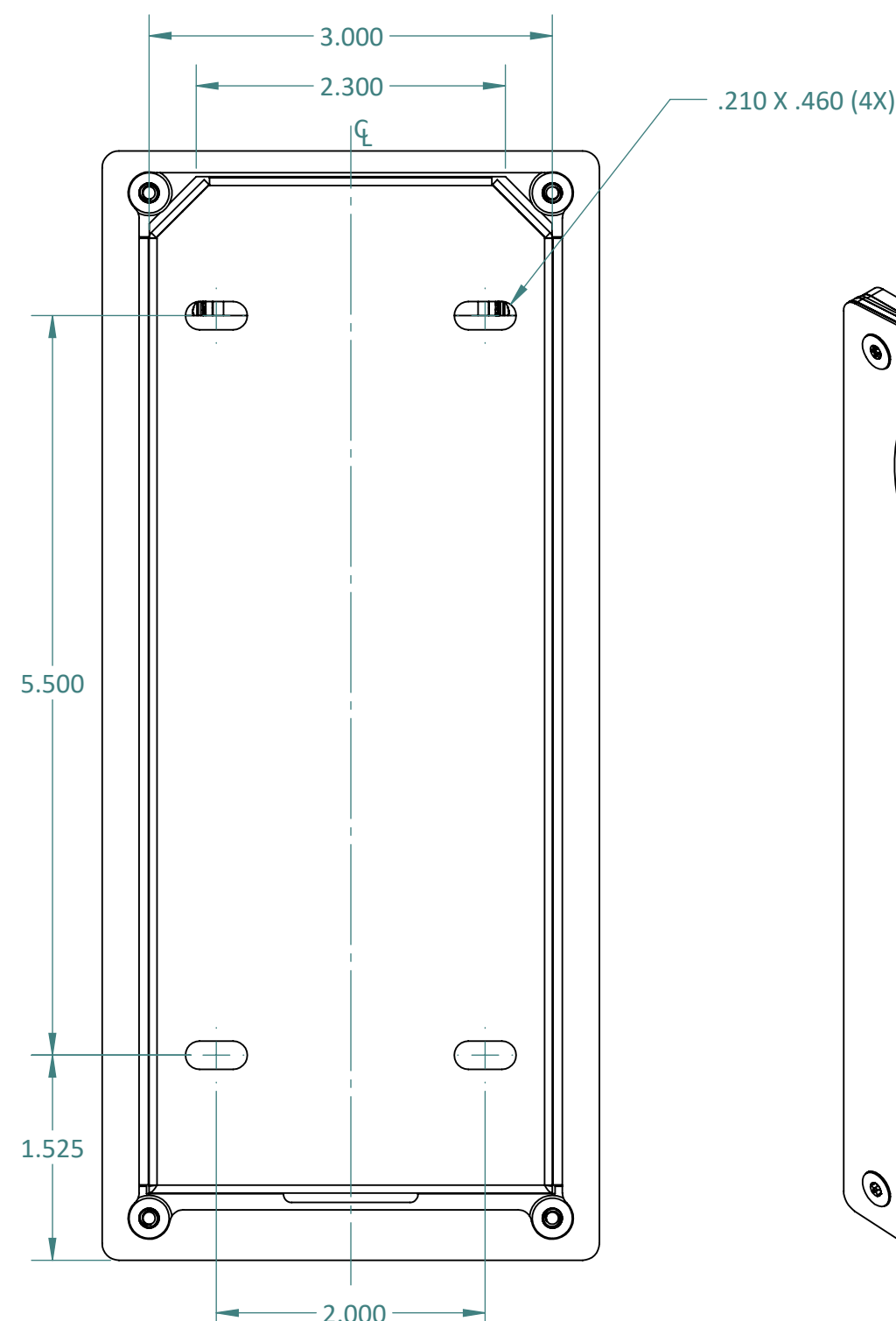


**FRONT VIEW**

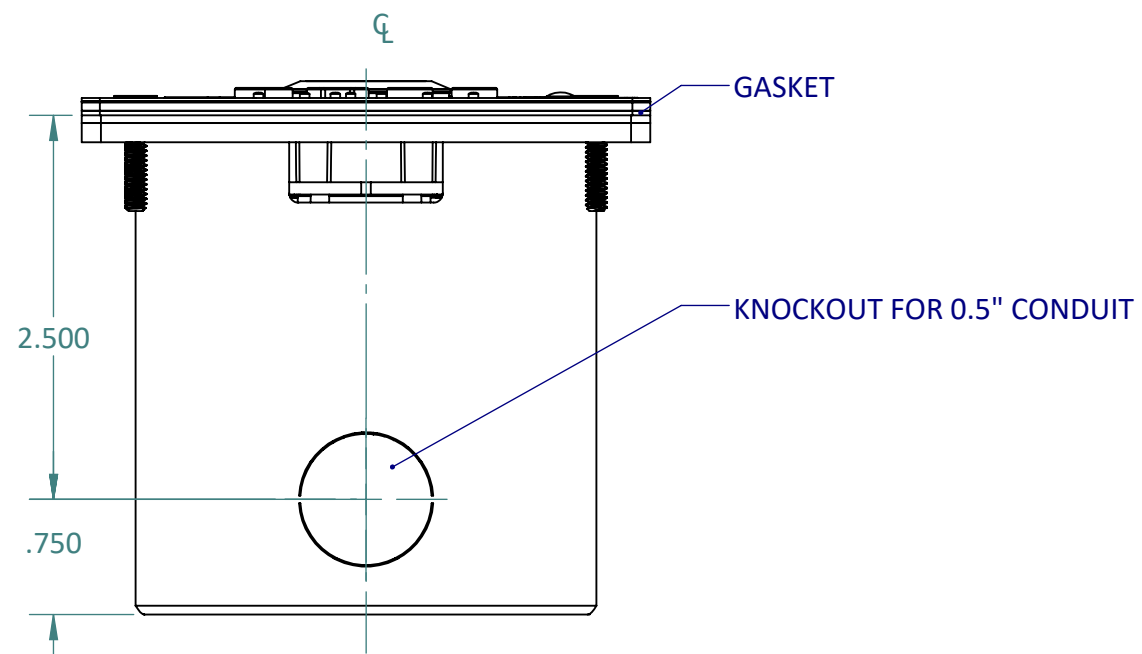
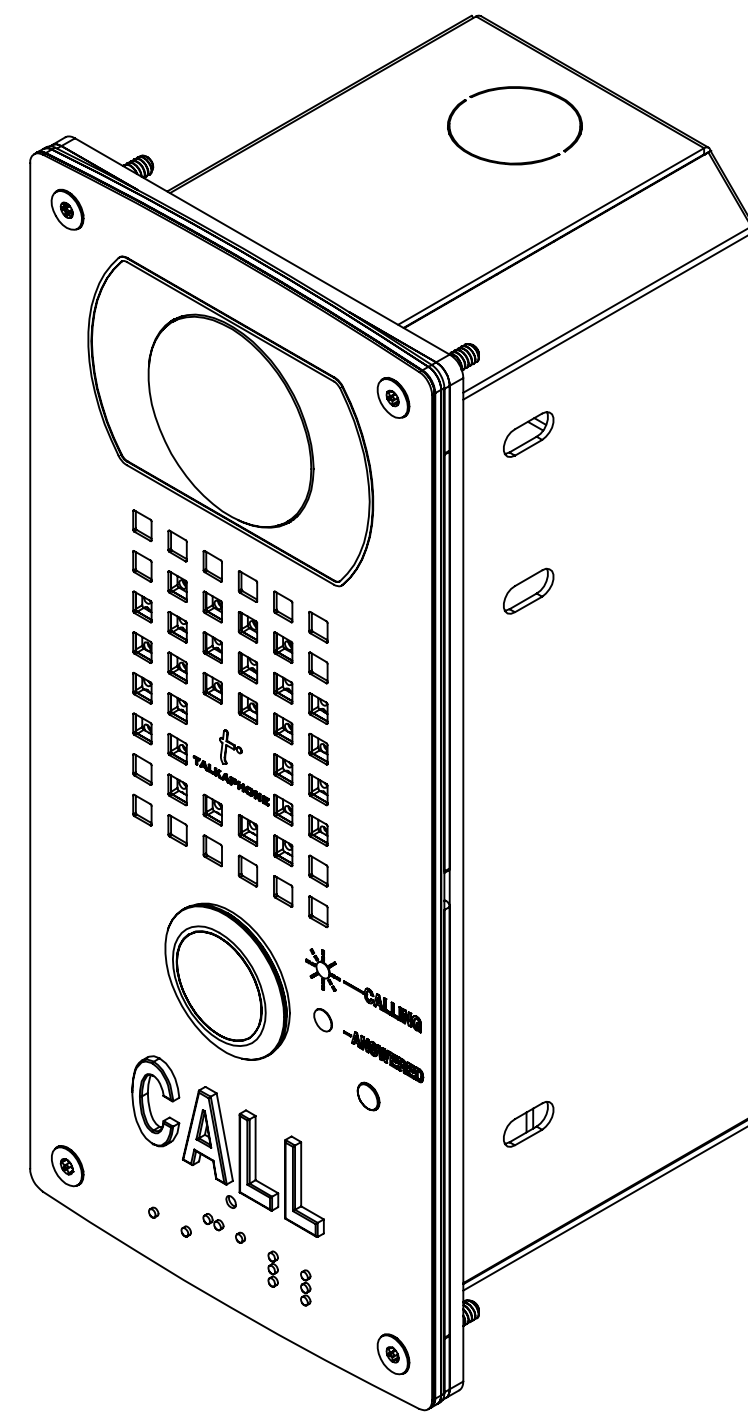
#6-32, T-10, TAMPER RESISTANT TORX



**SIDE VIEW**



**REAR VIEW**



**BOTTOM VIEW**

GASKET

KNOCKOUT FOR 0.5" CONDUIT



1	MARKETING RELEASE	5/12/2026	K PATEL
EDITION	DESCRIPTION	DATE	APPROVED

REVISIONS			
NO.	DESCRIPTION	NAME	DATE
1	MARKETING RELEASE	K PATEL	5/12/2026
2		K PATEL	5/12/2026

PROPRIETARY AND CONFIDENTIAL  
THE INFORMATION CONTAINED IN THIS DRAWING IS THE SOLE PROPERTY OF TALK-A-PHONE, LLC. ANY REPRODUCTION IN PART OR AS A WHOLE WITHOUT THE WRITTEN PERMISSION OF TALK-A-PHONE, LLC IS PROHIBITED.

DO NOT SCALE DRAWING DESCRIPTION

SPECIFICATIONS ARE SUBJECT TO CHANGE WITHOUT NOTICE

ALL DIMENSIONS ARE IN INCHES

TALKAPHONE  
TALK-A-PHONE, LLC  
7530 N. NATCHEZ AVE., NILES, IL 60714  
WWW.TALKAPHONE.COM

SIZE	PART NO.	REV
C	VOIP-220C3AX	1.0

MODEL FILE NAME: VOIP-220\_SERIES\_ASSY

SCALE: 4:5 WEIGHT: SHEET 1 OF 1