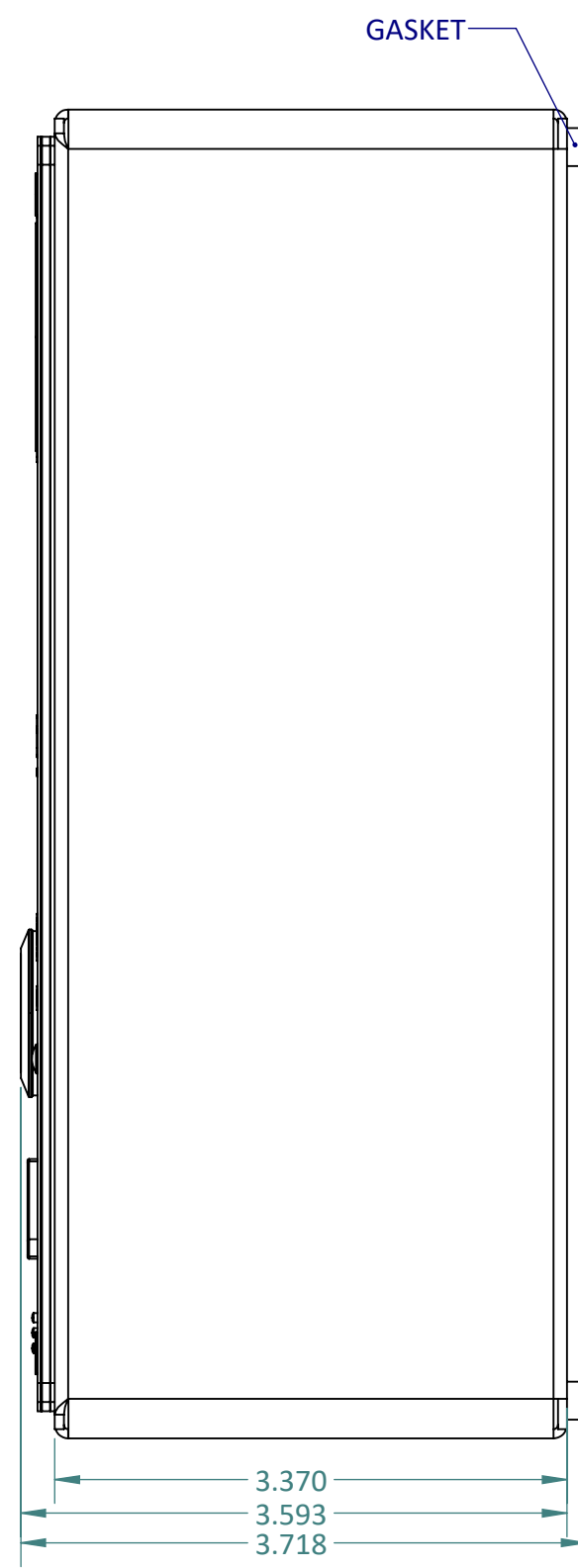
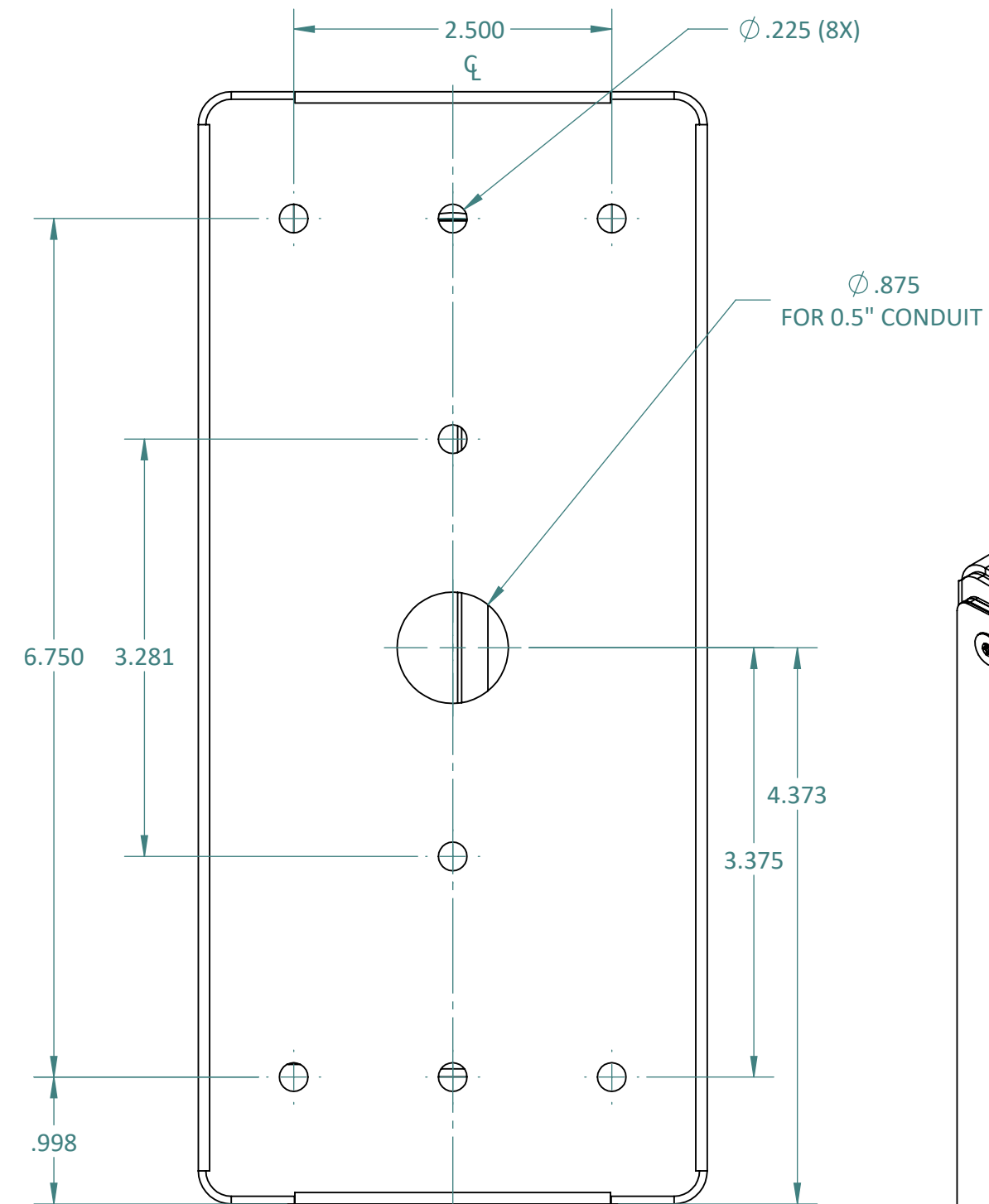


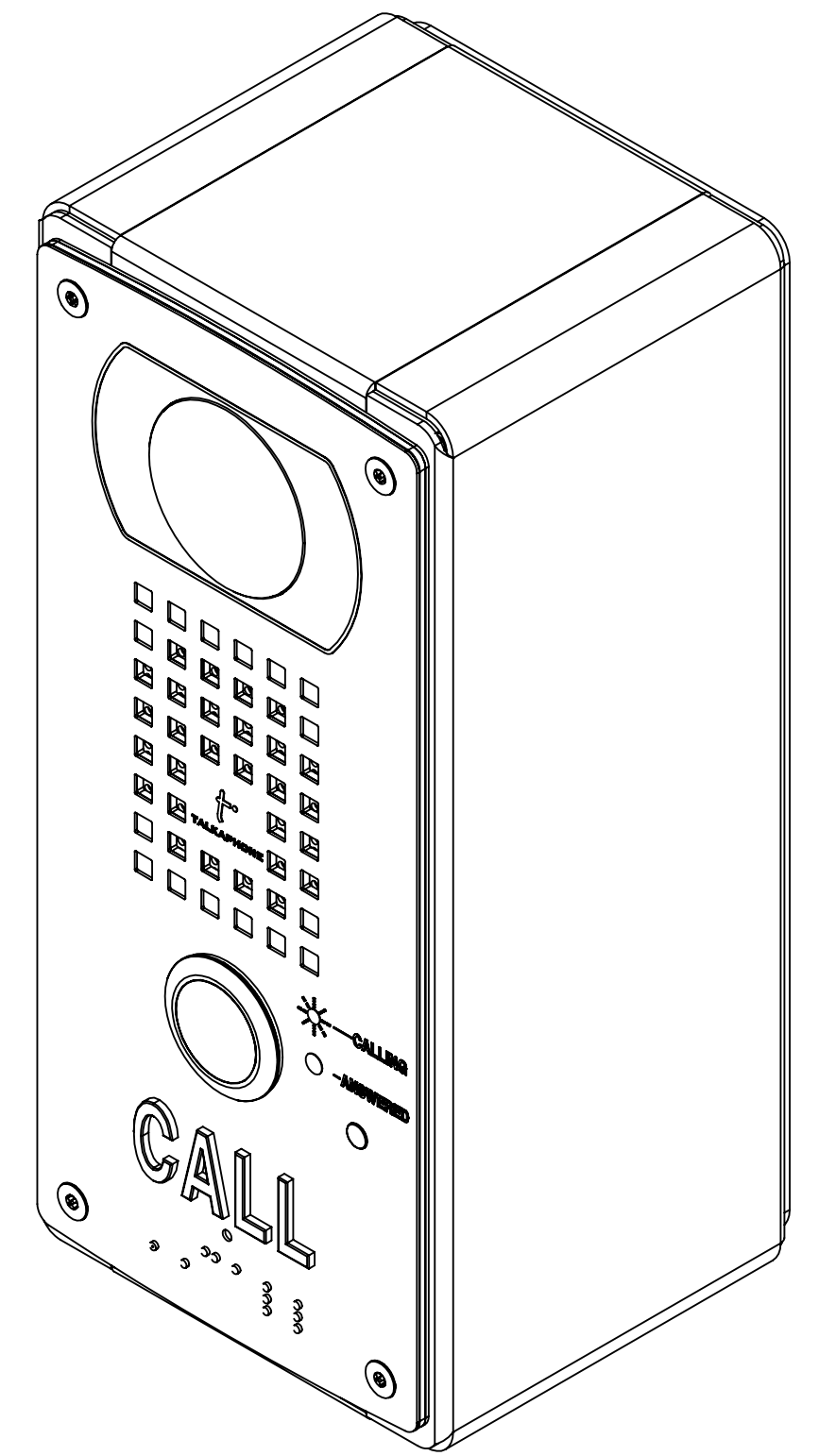
FRONT VIEW



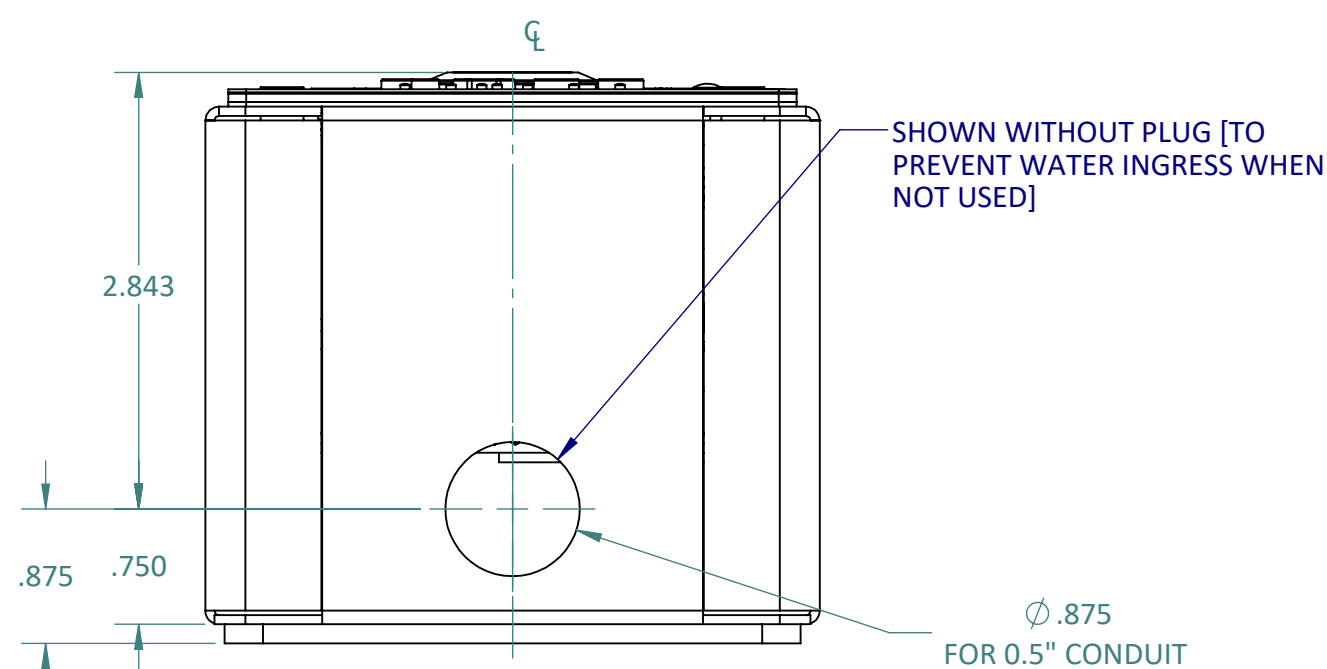
SIDE VIEW



REAR VIEW



ISOMETRIC VIEW



BOTTOM VIEW

1	MARKETING RELEASE	5/12/2026	K PATEL	
EDITION	DESCRIPTION	DATE	APPROVED	
REVISIONS				
<small>PROPRIETARY AND CONFIDENTIAL THE INFORMATION CONTAINED IN THIS DRAWING IS THE SOLE PROPERTY OF TALK-A-PHONE, LLC. ANY REPRODUCTION IN PART OR AS A WHOLE WITHOUT THE WRITTEN PERMISSION OF TALK-A-PHONE, LLC IS PROHIBITED. DO NOT SCALE DRAWING DESCRIPTION</small>	NAME	DATE	 TALK-A-PHONE, LLC 7530 N. NATCHEZ AVE., NILES, IL 60714 WWW.TALKAPHONE.COM	
	DRAWN	K PATEL		5/12/2026
	CHECKED	K PATEL		5/12/2026
	SPECIFICATIONS ARE SUBJECT TO CHANGE WITHOUT NOTICE			ALL DIMENSIONS ARE IN INCHES
VOIP-220 SERIES, AXIS CAMERA, CALL, SM		SIZE: C	PART NO.: VOIP-221C3AX	
MODEL FILE NAME: VOIP-220_SERIES_ASSY		SCALE: 4:5	WEIGHT:	
		SHEET 1 OF 1	1.0	